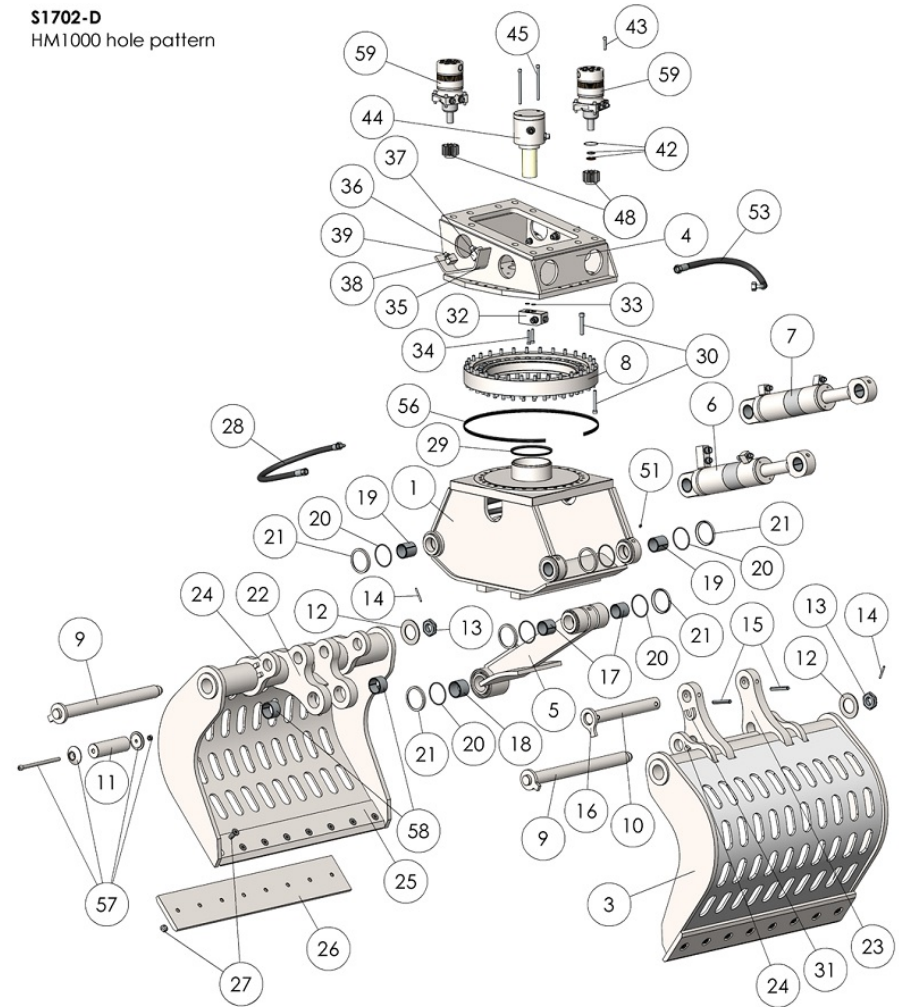


S1702-D demolition and sorting grab			
order No.	position	qty	description
S1702D.001	001	1	Welded main frame construction S1702-D
S1702D.002	002	1	Shell left (short lever) S1702-D
S1702D.003	003	1	Shell right (long lever) S1702-D
S1702D.004	004	1	Welded rotator frame construction S1702-D
S1702D.005	005	1	Welded linkage construction S1702-D
S1702D.006	006	1	Hydraulic cylinder right (high nipple) S1702-D
S1702D.007	007	1	Hydraulic cylinder left (low nipple) S1702-D
S1702D.008	008	1	Slewing ring S1702-D
S1702D.009	009	2	Main hinge pin Ø60mm S1702-D
S1702D.010	010	1	Linkage axis Ø60mm (top/long) S1702-D
S1702D.011	011	1	Linkage axis Ø70mm (under/short) S1702-D
S1702D.012	012	2	Disk spring S1702-D
S1702D.013	013	2	Castellated nut M48 S1702-D
S1702D.014	014	2	Spline pin 8mm x 60 (secure on M48) S1702-D
S1702D.015	015	2	Spline pin 16mm S1702-D
S1702D.016	016	1	Locker plate Linkage axis Ø60mm (top/long) S1702-D
S1702D.017	017	2	Bearings linkage top S1702-D
S1702D.018	018	2	Bearings linkage under S1702-D
S1702D.019	019	4	Bearings main frame S1702-D
S1702D.020	020	12	O-ring metal seal (Ø120mm) S1702-D
S1702D.021	021	12	Metal seal (Ø120mm) S1702-D
S1702D.022	022	2	Shell hinge short S1702-D
S1702D.023	023	2	Shell hinge long S1702-D
S1702D.024	024	4	Shell hinge support S1702-D
S1702D.025	025	2	Fixed blade S1702-D
S1702D.026	026	1 set	Exchangeable wear blades (2 pcs) S1702-D
S1702D.027	027	1 set	Bolt set exchangeable wear blades (for 2 blades) S1702-D
S1702D.028	028	1 set	Hose kit main frame (4 pcs) S1702-D
S1702D.029	029	1	V-ring (central ring) S1702-D
S1702D.030	030	1 set	Bolt set slewing ring S1702-D
S1702D.031	031	1	Locker-u S1702-D
S1702D.032	032	1	Connector block C.O.D. Ø70 S1702-D
S1702D.033	033	1 set	O-ring to C.O.D. (2 pcs) S1702-D
S1702D.034	034	1 set	Bolt set connector block C.O.D. (2 pcs) S1702-D
S1702D.035	035	2	Protective cover (connection nippels) S1702-D
S1702D.036	036	2	Main connect block (closing/open function) 3/4"G S1702-D
S1702D.037	037	2	Main connect nipple (closing/open function) S1702-D
S1702D.038	038	2	Main connect block (rotation function) 1/2"G S1702-D
S1702D.039	039	2	Main connect nipple (rotation function) S1702-D
S1702D.042	042	1 set	Seal kit hydro motor (for 1 motor) S1702-D
S1702D.043	043	1 set	Bolt set hydro motor (for 2 motors) S1702-D
S1702D.044	044	1 set	C.O.D. complete S1702-D
S1702D.045	045	1 set	Bolt set C.O.D. S1702-D
S1702D.048	048	2	Gear S1702-D
S1702D.051	051	1 set	Lubrication nipple 1/8"G (12 pieces) S1702-D
S1702D.053	053	1 set	Hose kit rotating frame (6 pcs) S1702-D
S1702D.056	056	1	Slewing ring seal S1702-D
S1702D.057	057	1 set	Locker set linkage axis (under/short) S1702-D
S1702D.058	058	2	Bearings linkage axis (under/short) S1702-D
S1702D.059	059	2	Hydro motor square flange S1702-D
S1702D.PBS	PBS	1 set	Maintenance kit pivot points (incl. all axes, bushes etc.) S1702-D

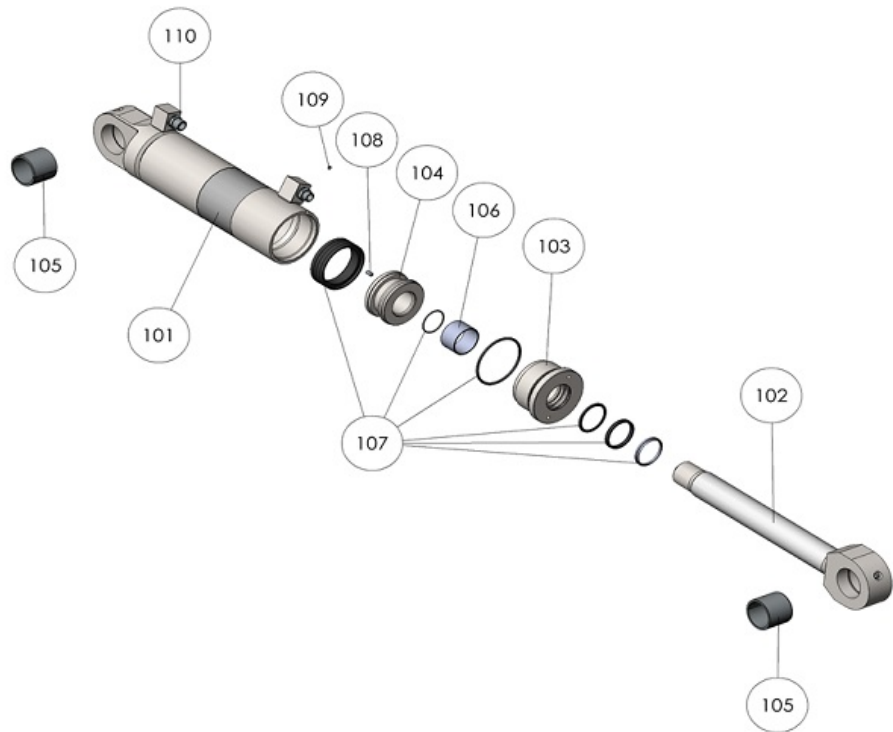
S1702-D
HM1000 hole pattern



versie 6-8-2016

S1702-D cylinder left

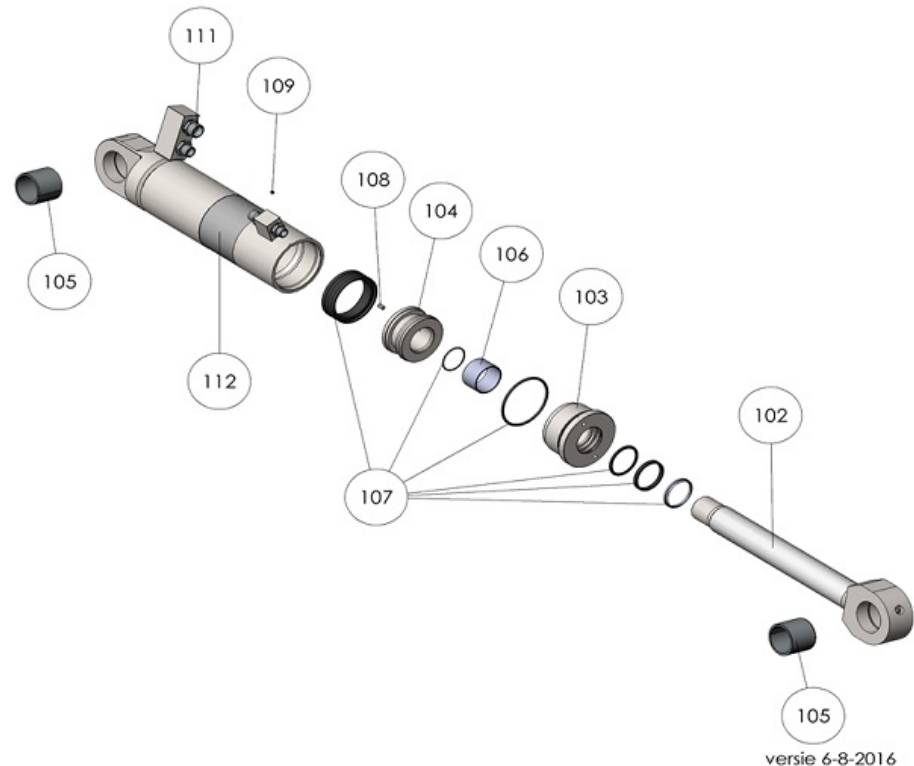
order No.	position	qty	description
S1702D.101	101	1	Cylinder housing (low connection / 2 ports) S1702-D
S1702D.102	102	1	Piston rod S1702-D
S1702D.103	103	1	Cylinder nut S1702-D
S1702D.104	104	1	Piston S1702-D
S1702D.105	105	2	Bearing cylinder housing S1702-D
S1702D.106	106	1	Bearing cylinder nut S1702-D
S1702D.107	107	1 set	Cylinder seal kit S1702-D
S1702D.108	108	1	Secure bolt M8 x12 S1702-D
S1702D.109	109	1	Secure bolt M6 x 6 S1702-D
S1702D.110	110	1 set	Cylinder nipple set (2 pcs) S1702-D



versie 6-8-2016

S1702-D cylinder right

order No.	position	qty	description
S1702D.112	112	1	Cylinder housing (high connection / 4 ports) S1702-D
S1702D.102	102	1	Piston rod S1702-D
S1702D.103	103	1	Cylinder nut S1702-D
S1702D.104	104	1	Piston S1702-D
S1702D.105	105	2	Bearing cylinder housing S1702-D
S1702D.106	106	1	Bearing cylinder nut S1702-D
S1702D.107	107	1 set	Cylinder seal kit S1702-D
S1702D.108	108	1	Secure bolt M8 x12 S1702-D
S1702D.109	109	1	Secure bolt M6 x 6 S1702-D
S1702D.111	111	1 set	Cylinder nipple set (4 pcs) S1702-D



versie 6-8-2016

S1702-D central oil distributor (C.O.D.)			
order No.	position	qty	description
S1702D.201	201	1	C.O.D. housing S1702-D
S1702D.202	202	1	C.O.D. rotor Ø70mm S1702-D
S1702D.203	203	1	C.O.D. cover S1702-D
S1702D.204	204	1	C.O.D. connection block S1702-D
S1702D.205	205	1	Bearing S1702-D
S1702D.206	206	1	Seeger circlip ring S1702-D
S1702D.207	207	1 set	Bolt set C.O.D. connection block (2 pcs) S1702-D
S1702D.208	208	1 set	Rotor seal kit C.O.D. S1702-D
S1702D.209	209	1 set	Connection nipples C.O.D. housing (2 pcs) S1702-D
S1702D.210	210	1 set	Connection nipples C.O.D. housing (3 pcs) S1702-D

