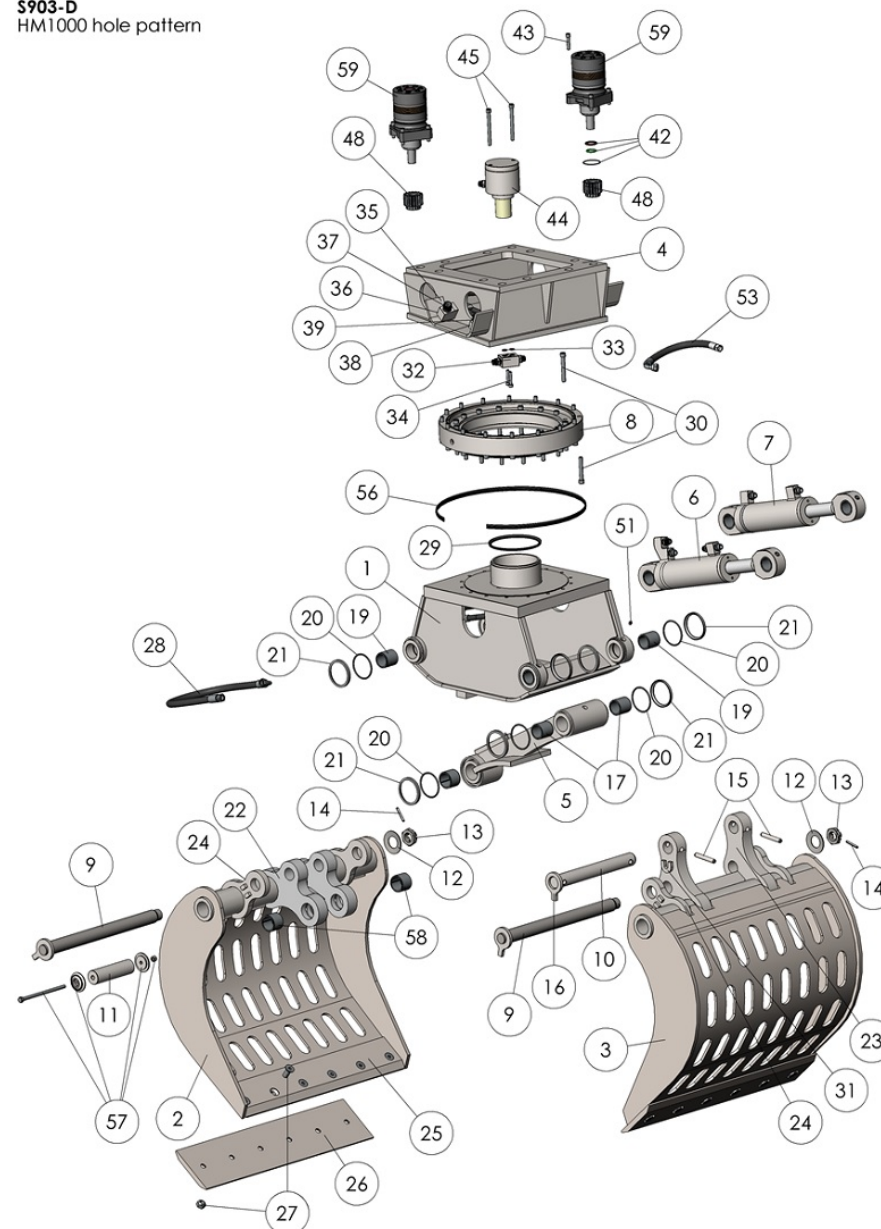


## S903-D demolition and sorting grab

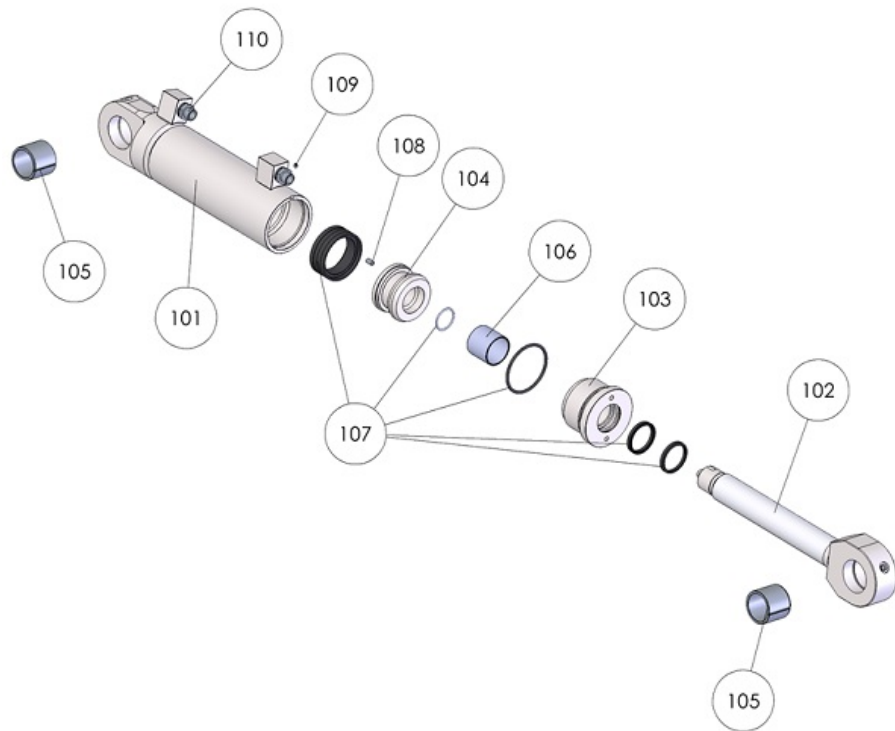
order No.	position	qty	description
S903D.001	001	1	Welded main frame construction S903-D
S903D.002	002	1	Shell left (short lever) S903-D
S903D.003	003	1	Shell right (long lever) S903-D
S903D.004	004	1	Welded rotator frame construction S903-D
S903D.005	005	1	Welded linkage construction S903-D
S903D.006	006	1	Hydraulic cylinder right (high nipple) S903-D
S903D.007	007	1	Hydraulic cylinder left (low nipple) S903-D
S903D.008	008	1	Slewing ring S903-D
S903D.009	009	2	Main hinge pin Ø50mm S903-D
S903D.010	010	1	Linkage axis Ø50mm (top/long) S903-D
S903D.011	011	1	Linkage axis Ø55mm (under/short) S903-D
S903D.012	012	2	Disk spring S903-D
S903D.013	013	2	Castellated nut M42 S903-D
S903D.014	014	2	Spline pin 8mm x 60 (secure on M42) S903-D
S903D.015	015	2	Spline pin 16mm S903-D
S903D.016	016	1	Locker plate Linkage axis top/long Ø50mm S903-D
S903D.017	017	2	Bearings linkage axis top S903-D
S903D.018	018	2	Bearings linkage axis under S903-D
S903D.019	019	4	Bearings main frame S903-D
S903D.020	020	12	O-ring Metal Seal (Ø106mm) S903-D
S903D.021	021	12	Metal Seal (Ø106mm) S903-D
S903D.022	022	2	Shell hinge short S903-D
S903D.023	023	2	Shell hinge long S903-D
S903D.024	024	4	Shell hinge support S903-D
S903D.025	025	2	Fixed blade S903-D
S903D.026	026	1 set	Exchangeable wear blades (2 pcs) S903-D
S903D.027	027	1 set	Bolt set exchangeable wear blades ( for 2 blades) S903-D
S903D.028	028	1 set	Hose kit main frame (4 pcs) S903-D
S903D.029	029	1	V-ring (central ring) S903-D
S903D.030	030	1 set	Bolt set slewing ring S903-D
S903D.031	031	1	Locker-u S903-D
S903D.032	032	1	Connector block C.O.D. S903-D
S903D.033	033	1 set	O-ring to C.O.D. (2 pcs) S903-D
S903D.034	034	1 set	Bolt set connector block C.O.D. (2 pcs) S903-D
S903D.035	035	2	Protective cover (connection nippels) S903-D
S903D.036	036	2	Main connect block (closing/open function) 3/4"G S903-D
S903D.037	037	2	Main connect nipple (closing/open function) S903-D
S903D.038	038	2	Main connect block (rotation function) 1/2"G S903-D
S903D.039	039	2	Main connect nipple (rotation function) S903-D
S903D.042	042	1 set	Seal kit hydro motor (for 1 motor) S903-D
S903D.043	043	1 set	Bolt set hydro motor (for 2 motors) S903-D
S903D.044	044	1	C.O.D. complete S903-D
S903D.045	045	1 set	Bolt set C.O.D. S903-D
S903D.048	048	2	Gear S903-D
S903D.051	051	1 set	Lubrication nipple 1/8"G (12 pieces) S903-D
S903D.053	053	1 set	Hose kit rotating frame (6 pcs) S903-D
S903D.056	056	1	Slewing ring seal S903-D
S903D.057	057	1 set	Locker set linkage axis (under/short) S903-D
S903D.058	058	2	Bearings linkage axis (under/short) S903-D
S903D.059	059	2	Hydro motor square flange S903-D
S903D.PBS	PBS	1 set	Maintenance kit pivot points (incl. all axes, bushes etc.) S903-D

S903-D  
HM1000 hole pattern

versie 14-12-2016

S903-D cylinder left

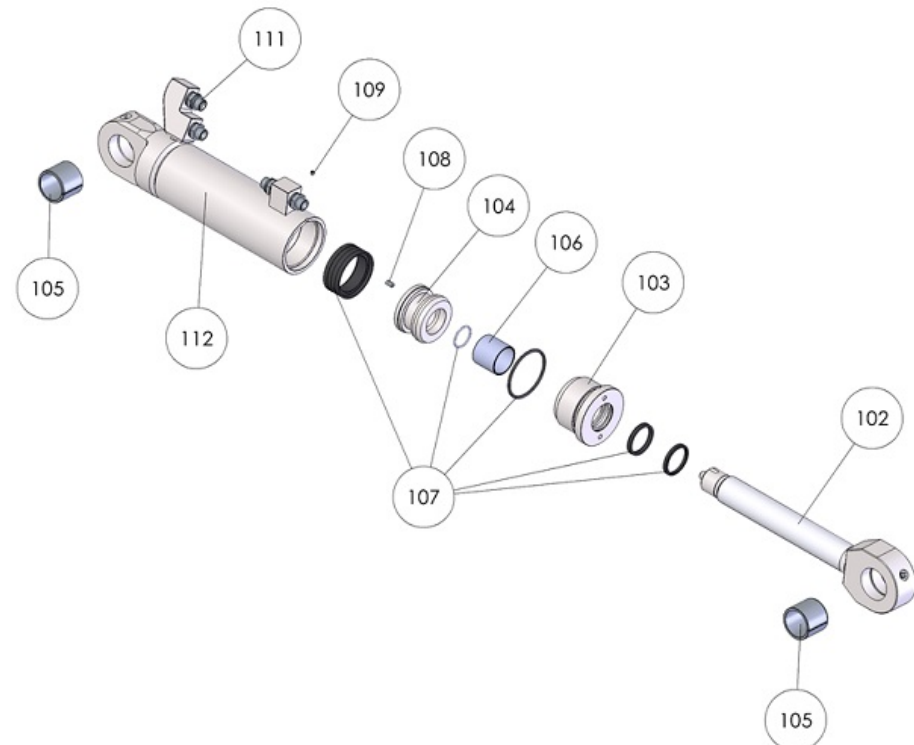
order No.	position	qty	description
S903D.101	101	1	Cylinder housing (low connection / 2 ports) S903-D
S903D.102	102	1	Piston rod S903-D
S903D.103	103	1	Cylinder nut S903-D
S903D.104	104	1	Piston S903-D
S903D.105	105	2	Bearing cylinder housing S903-D
S903D.106	106	1	Bearing cylinder nut S903-D
S903D.107	107	1 set	Cylinder seal kit S903-D
S903D.108	108	1	Secure bolt M8 x12 S903-D
S903D.109	109	1	Secure bolt M6 x 6 S903-D
S903D.110	110	1	Cylinder nipple set (2 pcs) S903-D



versie 6-8-2016

S903-D cylinder right

order No.	position	qty	description
S903D.112	112	1	Cylinder housing (high connection / 4 ports) S903-D
S903D.102	102	1	Piston rod S903-D
S903D.103	103	1	Cylinder nut S903-D
S903D.104	104	1	Piston S903-D
S903D.105	105	2	Bearing cylinder housing S903-D
S903D.106	106	1	Bearing cylinder nut S903-D
S903D.107	107	1 set	Cylinder seal kit S903-D
S903D.108	108	1	Secure bolt M8 x12 S903-D
S903D.109	109	1	Secure bolt M6 x 6 S903-D
S903D.111	111	1	Cylinder nipple set (4 pcs) S903-D



versie 6-8-2016

S903-D central oil distributor (C.O.D.)			
order No.	position	qty	description
S903D.201	201	1	C.O.D. housing S903-D
S903D.202	202	1	C.O.D. rotor Ø60mm S903-D
S903D.203	203	1	C.O.D. cover S903-D
S903D.204	204	1	C.O.D. connection block S903-D
S903D.205	205	1	Bearing S903-D
S903D.206	206	1	Seeger circlip ring S903-D
S903D.207	207	1 set	Bolt set C.O.D. connection block (2 pcs) S903-D
S903D.208	208	1 set	Rotor seal kit C.O.D. S903-D
S903D.209	209	1 set	Connection nipples C.O.D. housing (2 pcs) S903-D
S903D.210	210	1 set	Connection nipples connection block (2 pcs) S903-D

