



ADVANCED CONSTRUCTION & DEMOLITION EQUIPMENT

ASB175L PART LIST 3/2018

 **Hydraulische Hamer**

 **Hydrauliek Hammer**

 **Hydraulic Breaker**

 **Marteaux Hydrauliques**

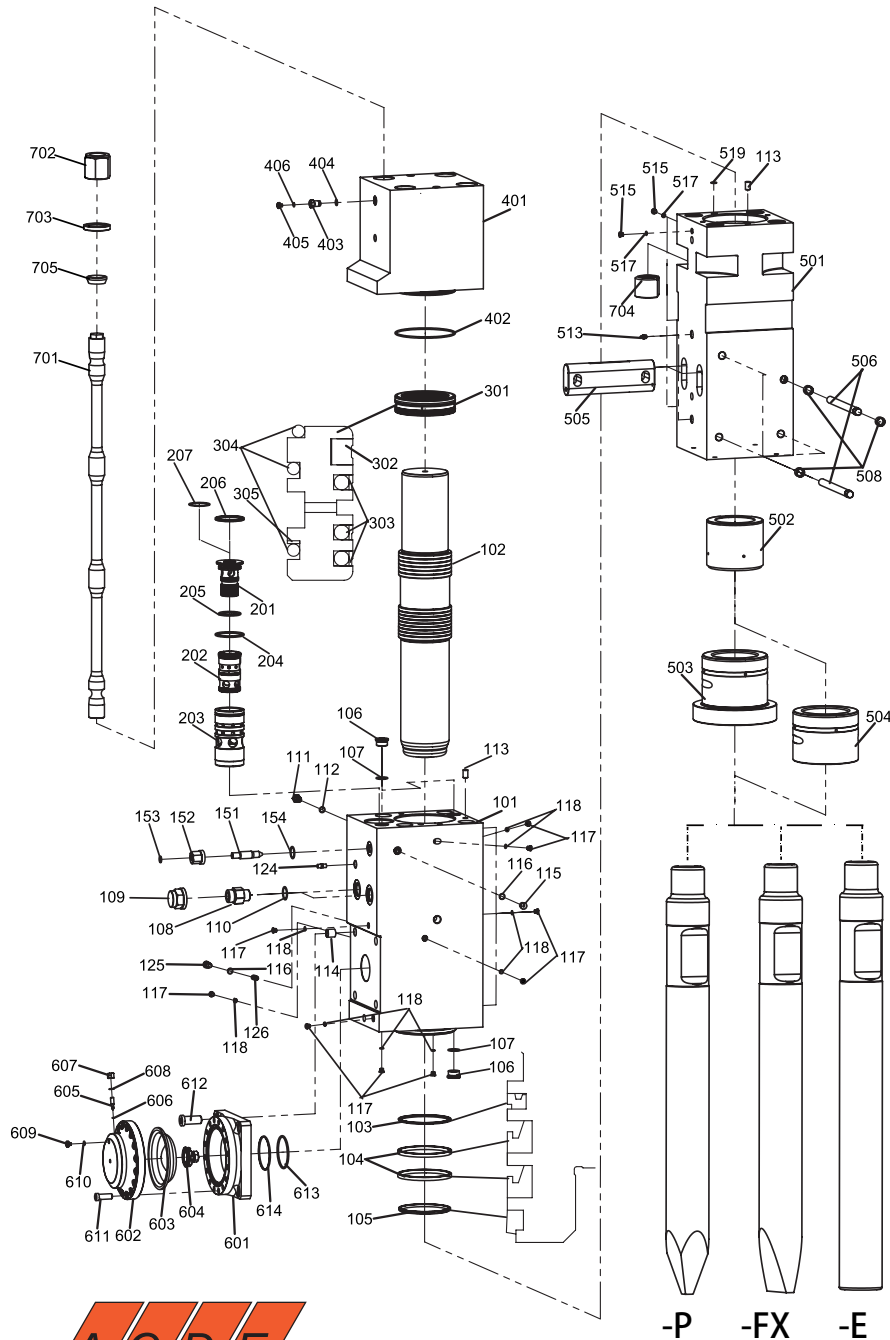


ACDE EUROPE B.V.
Frans Halsstraat 5
6901 DC Zevenaar
The Netherlands

Phone
E-mail
Web
Mobile

+31 316 26 72 91
info@acde-europe.com
www.acde-europe.com
+31 6 53 150 283

ASB175L BODY



COPYRIGHT © 2018, ACDE EUROPE BV, ALL RIGHTS RESERVED

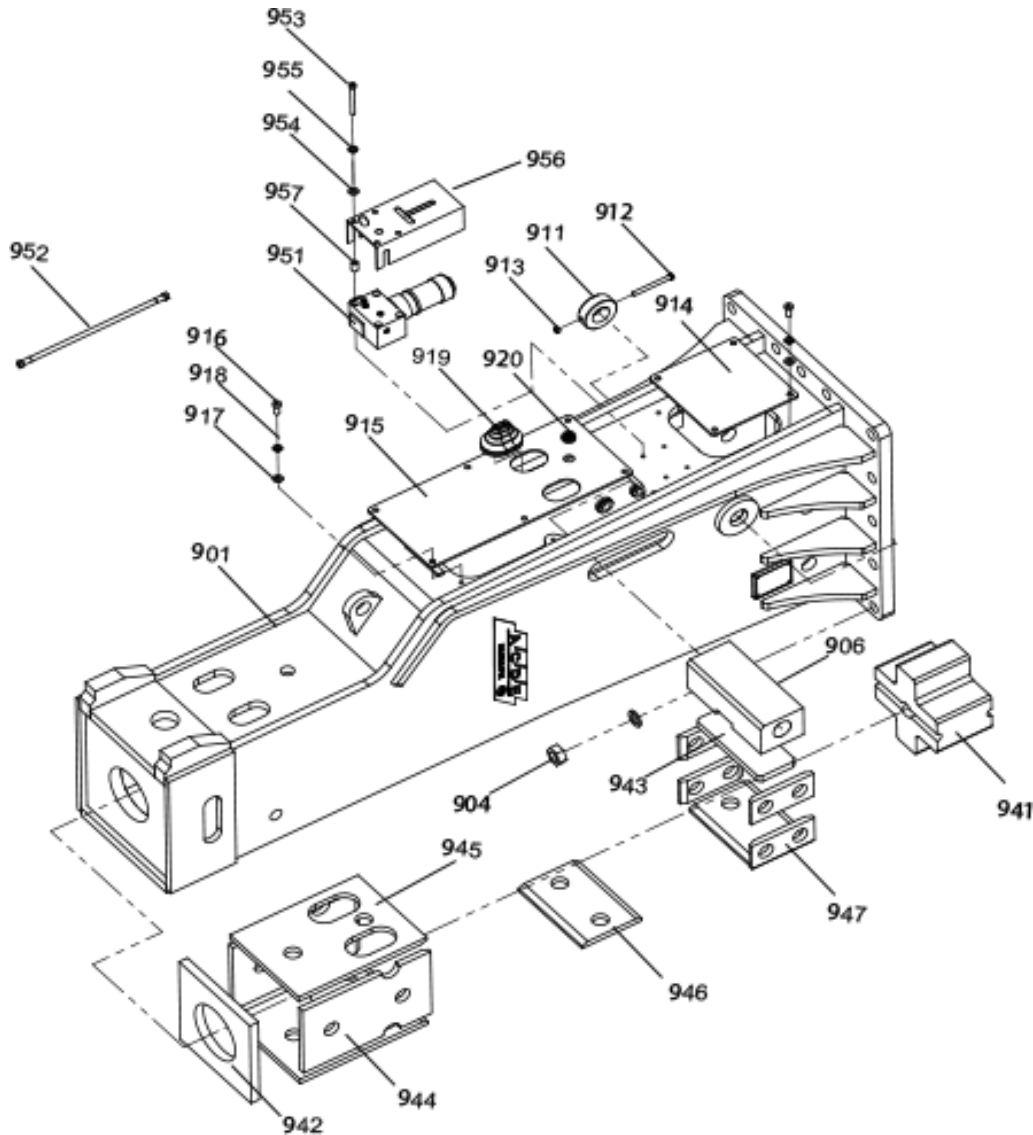
ASB175L PART LIST

| MODEL | DESCRIPTION | SPECIFICATION | QUANTITY |
|------------------|---------------------------|--------------------------|----------|
| ASB-175L-100 | CYLINDER ASSEMBLY | | |
| ASB-175L-101 | CYLINDER | 350*430*820 | 1 |
| ASB-175L-102 | PISTON | φ 185* φ 202* φ 177*1100 | 1 |
| ASB-175L-SKX-103 | BUFFER RING | HBV 185*200.5*6 | 1 |
| ASB-175L-SKX-104 | U-PACKING | IUIS 185*205*12 | 2 |
| ASB-175L-SKX-105 | DUST SEAL | LBI185*198*7*9.5 | 1 |
| ASB-175L-106 | CYLINDER PLUG | 4GN-20 | 3 |
| ASB-175L-SKX-107 | CYLINDER PLUG O-RING | 1BP-38 | 3 |
| ASB-175L-108 | IN/OUT ADAPTER | 1BG-20-24 | 2 |
| ASB-175L-109 | IN/OUT ADAPTER COVER | 9B-20 | 2 |
| ASB-175L-SKX-110 | IN/OUT ADAPTER O-RING | 1BP-44 | 2 |
| ASB-175L-111 | EXHAUST VALVE | G 1/2' | 1 |
| ASB-175L-SKX-112 | EXHAUST VALVE O-RING | 1BP-18 | 1 |
| ASB-175L-113 | GUIDE PIN | φ 18*30 | 2 |
| ASB-175L-114 | BOLT | ST30*2*16 | 4 |
| ASB-175L-115 | PLUG | 4GN-08 D26 | 1 |
| ASB-175L-SKX-116 | O-RING | 1BP-18 | 2 |
| ASB-175L-117 | PLUG | 4GN-04 | 11 |
| ASB-175L-SKX-118 | O-RING | 1BP-11 | 11 |
| ASB-175L-124 | GREASE NIPPLE | G 1/4 | 1 |
| ASB-175L-125 | PLUG | 4GN-08 L30 | 1 |
| ASB-175L-126 | ANTI-USELESS STRIKE VALVE | φ 16*31 | 1 |
| ASB-175L-150 | VALVE ADJUSTER ASSEMBLY | | |
| ASB-175L-151 | FRONT VALVE | M27*P2.0*122 | 1 |
| ASB-175L-152 | FRONT VALVE NUT | M27*P2.0*46 | 1 |
| ASB-175L-SKX-153 | FRONT VALVE O-RING | 1BP-21 | 1 |
| ASB-175L-SKX-154 | FRONT VALVE O-RING | 1BP-40 | 1 |
| ASB-175L-200 | VALVE ASSEMBLY | | |
| ASB-175L-201 | VALVE COVER | φ 101*130 | 1 |
| ASB-175L-202 | VALVE | φ 82* φ 85*148 | 1 |
| ASB-175L-203 | VALVE SLEEVE | φ 110*214 | 1 |
| ASB-175L-SKX-204 | O-RING | 1BP-100 | 1 |
| ASB-175L-SKX-205 | O-RING | 1BP-75 | 1 |
| ASB-175L-206 | PROTECT RING | 103*110*6.6 | 1 |
| ASB-175L-SKX-207 | O-RING | 1BG-75 | 1 |
| ASB-175L-300 | PISTON BUSH ASSEMBLY | | |
| ASB-175L-301 | PISTON BUSH | Φ230*62 | 1 |
| ASB-175L-SKX-302 | GAS SEAL | IKH-177 | 1 |
| ASB-175L-SKX-303 | STEP SEAL | SPNS-177 | 3 |
| ASB-175L-SKX-304 | O-RING | 1BG-220 | 3 |
| ASB-175L-SKX-305 | WHITE RING | T3G-220 | 1 |

ASB175L PART LIST

| MODEL | DESCRIPTION | SPECIFICATION | QUANTITY |
|------------------|------------------------------|------------------|----------|
| ASB-175L-400 | BACK HEAD ASSEMBLY | | |
| ASB-175L-401 | BACK HEAD | 350*430*425 | 1 |
| ASB-175L-SKX-402 | O-RING | 1BG-220 | 1 |
| ASB-175L-403 | GAS CHARGING VALVE | G 1/2' | 1 |
| ASB-175L-SKX-404 | O-RING | 1BP-18 | 1 |
| ASB-175L-405 | GAS CHARGING VALVE COVER | M10*P1.0 | 1 |
| ASB-175L-SKX-406 | O-RING | 1BP-12 | 1 |
| ASB-175L-500 | FRONT HEAD ASSEMBLY | | |
| ASB-175L-501 | FRONT HEAD | 350*350*900 | 1 |
| ASB-175L-502 | THRUST BUSH | φ 175* φ 216*182 | 1 |
| ASB-175L-503 | CHISEL BUSH | φ 175* φ 250*250 | 1 |
| ASB-175L-504 | (SILENCED CHISEL BUSH) | φ 175* φ 250*190 | 1 |
| ASB-175L-505 | CHISEL PIN | 120X60X350 | 2 |
| ASB-175L-506 | BUSHING PIN | φ 26x335 | 4 |
| ASB-175L-507 | CHISEL | φ 175*1600 | 2 |
| ASB-175L-508 | RUBBER PLUG | φ 32.5x φ 26x19 | 5 |
| ASB-175L-513 | GREASE NIPPLE | G 1/4' | 2 |
| ASB-175L-515 | PROCESS PLUG | 4GN-04 | 4 |
| ASB-175L-SKX-517 | O-RING | 1BP-11 | 4 |
| ASB-175L-SKX-519 | GREASE O-RING | 1BP-18 | 1 |
| ASB-175L-600 | ACCUMULATOR ASSEMBLY | | |
| ASB-175L-601 | ACCUMULATOR BOTTOM | 300*320*97 | 1 |
| ASB-175L-602 | ACCUMULATOR COVER | Φ300*90 | 1 |
| ASB-175L-603 | DIAPHRAGM | φ 237*45 | 1 |
| ASB-175L-SKX-604 | INNER VALVE ASSEMBLY | Φ75*17 | 1 |
| ASB-175L-605 | GAS CHARGING ADJUSTER | M12*P1.25 | 1 |
| ASB-175L-SKX-606 | GAS CHARGING O-RING | 1BP-5 | 1 |
| ASB-175L-607 | GAS CHARGING CAP | M12*P1.25 | 1 |
| ASB-175L-SKX-608 | GAS CHARGING CAP O-RING | 1BP-14 | 1 |
| ASB-175L-609 | ACC'COVER CAP | M10*P1.0 | 1 |
| ASB-175L-SKX-610 | ACC'COVER CAP O-RING | 1BP-12 | 1 |
| ASB-175L-611 | INNER COVER HEX.SOCKET BOLT | M20*1.5*55 | 16 |
| ASB-175L-612 | INNER BOTTOM HEX.SOCKET BOLT | M30*2.0*70 | 4 |
| ASB-175L-SKX-613 | O-RING | 1BP-115 | 1 |
| ASB-175L-SKX-614 | WHITE RING | 4BP-115 | 1 |
| ASB-175L-700 | THROUGH BOLT ASSEMBLY | | |
| ASB-175L-701 | THROUGH BOLT | RD60XP4.233X1483 | 4 |
| ASB-175L-702 | SCREW NUT(UPPER) | RD60XP4.233X95 | 4 |
| ASB-175L-703 | WASHER | φ 75* φ 60*15 | 4 |
| ASB-175L-704 | SCREW NUT(LOWER) | RD60XP4.233X105 | 4 |
| ASB-175L-705 | WASHER | φ 75* φ 60*25 | 4 |

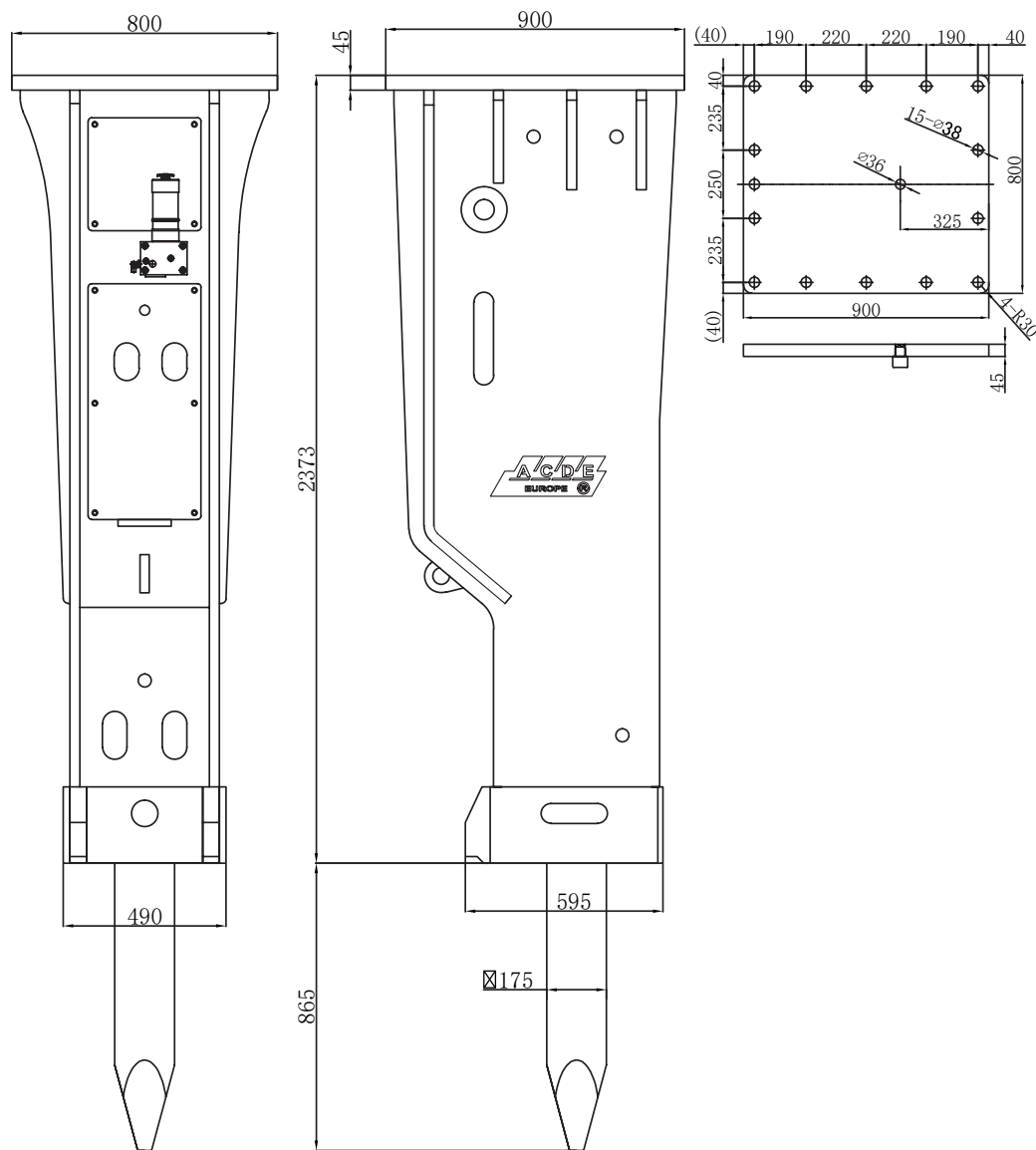
ASB175L HOUSING



ASB175L PART LIST

| MODEL | DESCRIPTION | SPECIFICATION | QUANTITY |
|--------------|--------------------|-------------------|----------|
| ASB-175L-900 | FRAME ASS'Y | | |
| ASB-175L-901 | FRAME(BOX TYPE) | | 1 |
| ASB-175L-906 | CLAMP DAMPER | 390 × 150 × 120 | 1 |
| ASB-175L-910 | CLAMP BOLT | φ 60 × 508 | 1 |
| ASB-175L-911 | STOP BAR | φ 60 × φ 113 × 35 | 1 |
| ASB-175L-912 | HEX BOLT | M12 × 130 | 1 |
| ASB-175L-913 | HEX NUT | M12 | 1 |
| ASB-175L-914 | COVER PLATE-A | 340 × 340 × 7 | 1 |
| ASB-175L-915 | COVER PLATE-B | 710 × 340 × 7 | 1 |
| ASB-175L-916 | HEX BOLT | M14 × 35 | 10 |
| ASB-175L-917 | WASHER | 14 | 10 |
| ASB-175L-918 | SPRING WASHER | 14 | 10 |
| ASB-175L-919 | IN/OUT PLUG | | 2 |
| ASB-175L-920 | IN/OUT PLUG COVER | | 1 |
| ASB-175L-940 | BUFFER PLATE ASS' | | |
| ASB-175L-941 | BACK BUFFER | 333 × 306 × 192 | 1 |
| ASB-175L-942 | LOWER DAMPER | 350 × 350 × 30 | 1 |
| ASB-175L-943 | CLAMP DAMPER | 340 × 130 × 25 | 1 |
| ASB-175L-944 | SIDE DAMPER | 450 × 280 × 20 | 2 |
| ASB-175L-945 | UP&DOWN DAMPER | 450 × 340 × 20 | 2 |
| ASB-175L-946 | SIDE DAMPER | 340 × 250 × 20 | 2 |
| ASB-175L-947 | SIDE DAMPER | 220 × 100 × 20 | 4 |
| ASB-175L-950 | AUTOLUB SYSTEM | | |
| ASB-175L-951 | AUTOLUB SYSTEM | | 1 |
| ASB-175L-952 | OIL HOSE PLUG | G1/4 | 1 |
| ASB-175L-953 | HEX BOLT | M12 × 120 | 4 |
| ASB-175L-954 | WASHER | 12 | 4 |
| ASB-175L-955 | SPRING WASHER | 12 | 4 |
| ASB-175L-956 | AUTOLUB TOOL COVER | | 1 |
| ASB-175L-957 | AUTOLUB TOOL NUT | φ 20 × φ 13 × 30 | 4 |

ASB175L HOUSING MEASUREMENTS



ACCESSOIRES

| IMAGE | MODELL/TYPE | DESCRIPTION |
|-------|-------------|------------------------|
| | ACDE | N2 filling device |
| | ACDE | Hammer paste cartridge |
| | ACDE | Grease gun + cartridge |

BRACKETS

| IMAGE | MODELL | DESCRIPTION |
|-------|--------|-------------|
| | ACDE | CW 05 |
| | ACDE | MS 01 |
| | ACDE | MS 03 |

