



## ADVANCED CONSTRUCTION & DEMOLITION EQUIPMENT

### ASB40 PART LIST 3/2018

 **Hydraulische Hamer**

 **Hydrauliek Hammer**

 **Hydraulic Breaker**

 **Marteaux Hydrauliques**

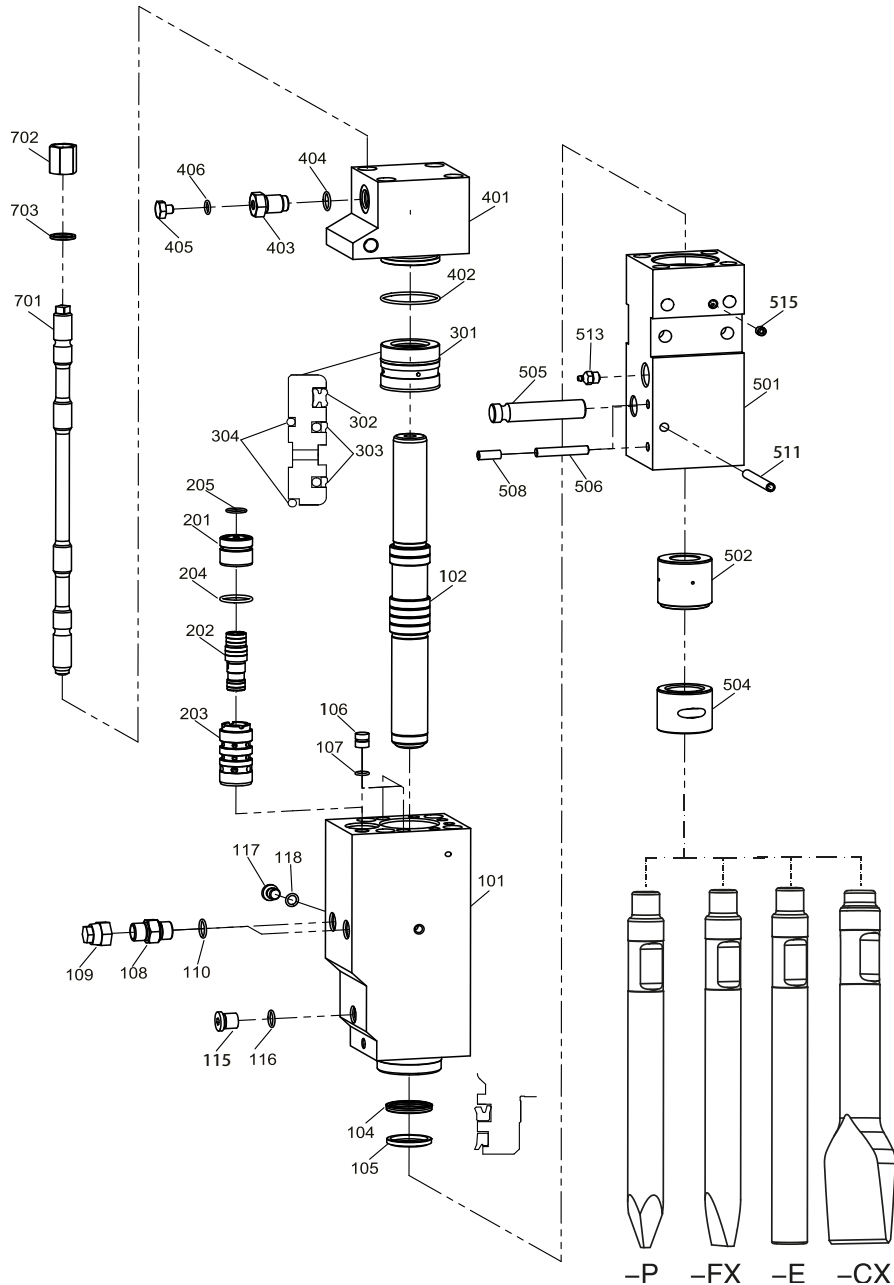


**ACDE EUROPE B.V.**  
Frans Halsstraat 5  
6901 DC Zevenaar  
The Netherlands

**Phone**  
**E-mail**  
**Web**  
**Mobile**

+31 316 26 72 91  
info@acde-europe.com  
www.acde-europe.com  
+31 6 53 150 283

# ASB40 BODY

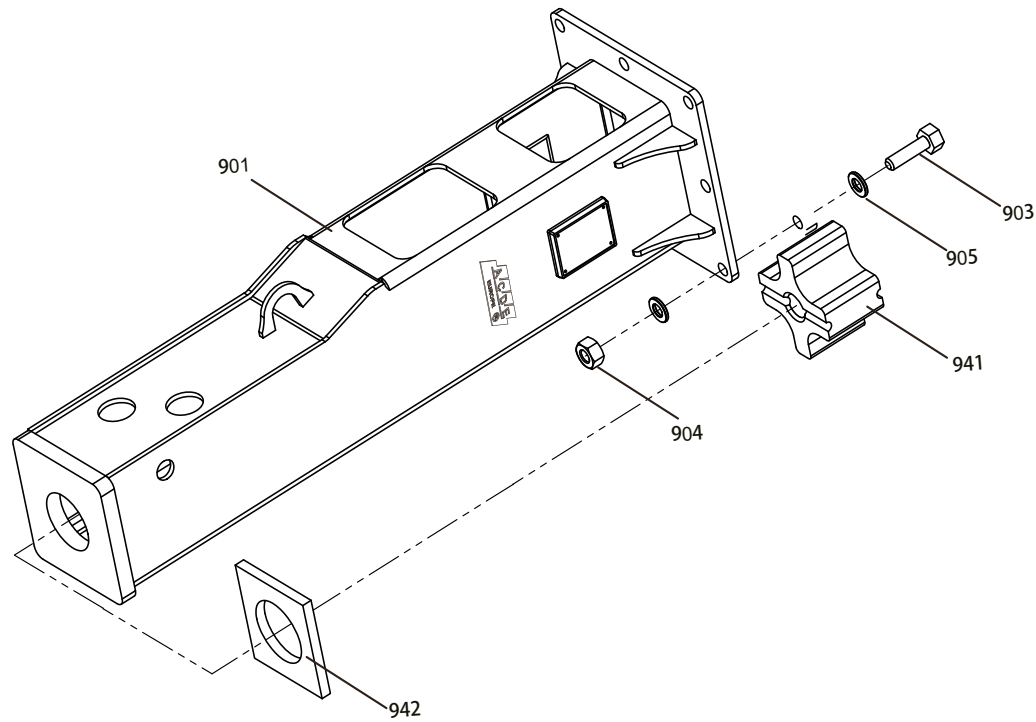


# ASB40 PART LIST

| MODEL      | DESCRIPTION              | SPECIFICATION      | QUANTITY |
|------------|--------------------------|--------------------|----------|
| ASB-40-100 | CYLINDER ASSEMBLY        |                    |          |
| ASB-40-101 | CYLINDER                 | 100*135*301        | 1        |
| ASB-40-102 | PISTON                   | Φ 37*Φ44.5*Φ40*380 | 1        |
| ASB-40-104 | U-PACKING                | ISI 40*50*6        | 1        |
| ASB-40-105 | DUST SEAL                | DSI 40*48*5*6.5    | 1        |
| ASB-40-106 | CYLINDER PLUG            | T/P 15*16          | 3        |
| ASB-40-107 | O-RING                   | 1BP-11             | 3        |
| ASB-40-108 | IN/OUT ADAPTER           | 1BG-08             | 2        |
| ASB-40-109 | IN/OUT ADAPTER COVER     | 9B-08              | 2        |
| ASB-40-110 | IN/OUT ADAPTER O-RING    | 1BP-18             | 2        |
| ASB-40-115 | CYLINDER PLUG(1)         | 4HN-18             | 1        |
| ASB-40-116 | CYLINDER PLUG O-RING(1)  | 1BP-16             | 1        |
| ASB-40-117 | CYLINDER PLUG(2)         | 4GN-04             | 1        |
| ASB-40-118 | CYLINDER PLUG O-RING(2)  | 1BP-11             | 1        |
| ASB-40-200 | VALVE ASSEMBLY           |                    |          |
| ASB-40-201 | VALVE COVER              | Φ 36*32.5          | 1        |
| ASB-40-202 | VALVE                    | Φ 22*Φ24*Φ20*69    | 1        |
| ASB-40-203 | VALVE SLEEVE             | Φ 36*72.5          | 1        |
| ASB-40-204 | O-RING                   | 1BP-30             | 1        |
| ASB-40-205 | O-RING                   | 1BG-25             | 1        |
| ASB-40-300 | PISTON BUSH ASSEMBLY     |                    |          |
| ASB-40-301 | PISTON BUSH              | Φ 65*52            | 1        |
| ASB-40-302 | GAS SEAL                 | IKH-37*46.5*7.3    | 1        |
| ASB-40-303 | STEP SEAL                | SPNS 37*47.7*3.9   | 2        |
| ASB-40-304 | O-RING                   | 1BG-60             | 2        |
| ASB-40-400 | BACK HEAD ASSEMBLY       |                    |          |
| ASB-40-401 | BACK HEAD                | 100*135*108        | 1        |
| ASB-40-402 | O-RING                   | 1BG-60             | 1        |
| ASB-40-403 | GAS CHARGING VALVE       | G 1/2'             | 1        |
| ASB-40-404 | O-RING                   | 1BP-18             | 1        |
| ASB-40-405 | GAS CHARGING VALVE COVER | M10*P1.0           | 1        |
| ASB-40-406 | O-RING                   | 1BP-12             | 1        |
| ASB-40-500 | FRONT HEAD ASSEMBLY      |                    |          |
| ASB-40-501 | FRONT HEAD               | 100*106*245        | 1        |
| ASB-40-502 | THRUST BUSH              | φ 40*φ60*58        | 1        |
| ASB-40-504 | SILENCED CHISEL BUSH     | φ 40*φ61*50        | 1        |
| ASB-40-505 | CHISEL PIN               | φ 22*106           | 1        |
| ASB-40-506 | BUSHING PIN              | φ 10*67            | 2        |
| ASB-40-507 | CHISEL                   | φ 45*450           | 2        |
| ASB-40-508 | RUBBER PLUG              | φ 10x25            | 2        |
| ASB-40-511 | LOCKING PIN              | φ 10x90            | 1        |
| ASB-40-513 | GREASE NIPPLE            | G 1/4'             | 1        |
| ASB-40-515 | PROCESS PLUG             | 4TN-02             | 1        |
| ASB-40-700 | THROUGH BOLT ASSEMBLY    |                    |          |
| ASB-40-701 | THROUGH BOLT             | M20X1.5X440        | 4        |
| ASB-40-702 | SCREW NUT(UPPER)         | M20X1.5X33         | 4        |
| ASB-40-703 | WASHER                   | φ 28*φ21*3         | 4        |



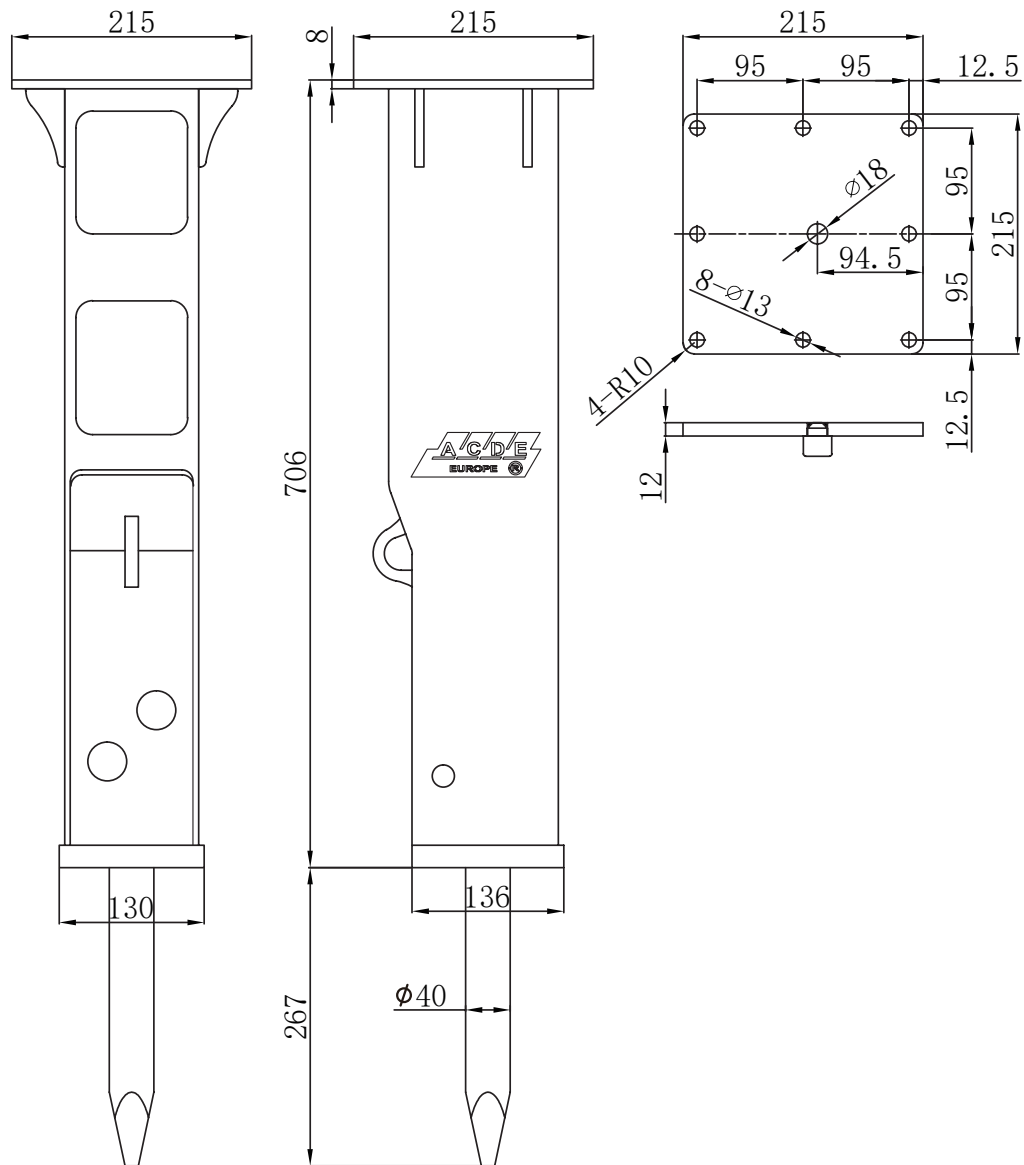
## ASB40 HOUSING



## ASB40 PART LIST

| NO.         | DESCRIPTION       | SPECIFICATION | AMOUNT |
|-------------|-------------------|---------------|--------|
| ASB-40-900  | FRAME ASS'Y       |               |        |
| ASB-40-901  | FRAME(BOX TYPE)   |               | 1      |
| ASB-40-940  | BUFFER PLATE ASS' |               |        |
| ASB-40-941  | BACK BUFFER       | 112×98×65     | 1      |
| ASB-40-942  | LOWER DAMPER      | 100×106×10    | 1      |
| ASB-40-1102 | PIN               |               | 2      |
| ASB-40-1104 | PIN HEX BOLT      | M10×55        | 2      |
| ASB-40-1105 | PIN HEX NUT       | M10           | 2      |
| ASB-40-1107 | LOGO              |               | 2      |

## ASB40 HOUSING MEASUREMENTS



## ACCESOIRES

| IMAGE | MODELL/TYPE | DESCRIPTION            |
|-------|-------------|------------------------|
|       | ACDE        | N2 filling device      |
|       | ACDE        | Hammer paste cartridge |
|       | ACDE        | Grease gun + cartridge |

## BRACKETS

| IMAGE | MODELL | DESCRIPTION |
|-------|--------|-------------|
|       | ACDE   | CW 05       |
|       | ACDE   | MS 01       |
|       | ACDE   | MS 03       |

