



ADVANCED CONSTRUCTION & DEMOLITION EQUIPMENT

ASB53 PART LIST 3/2018

 **Hydraulische Hamer**

 **Hydrauliek Hammer**

 **Hydraulic Breaker**

 **Marteaux Hydrauliques**

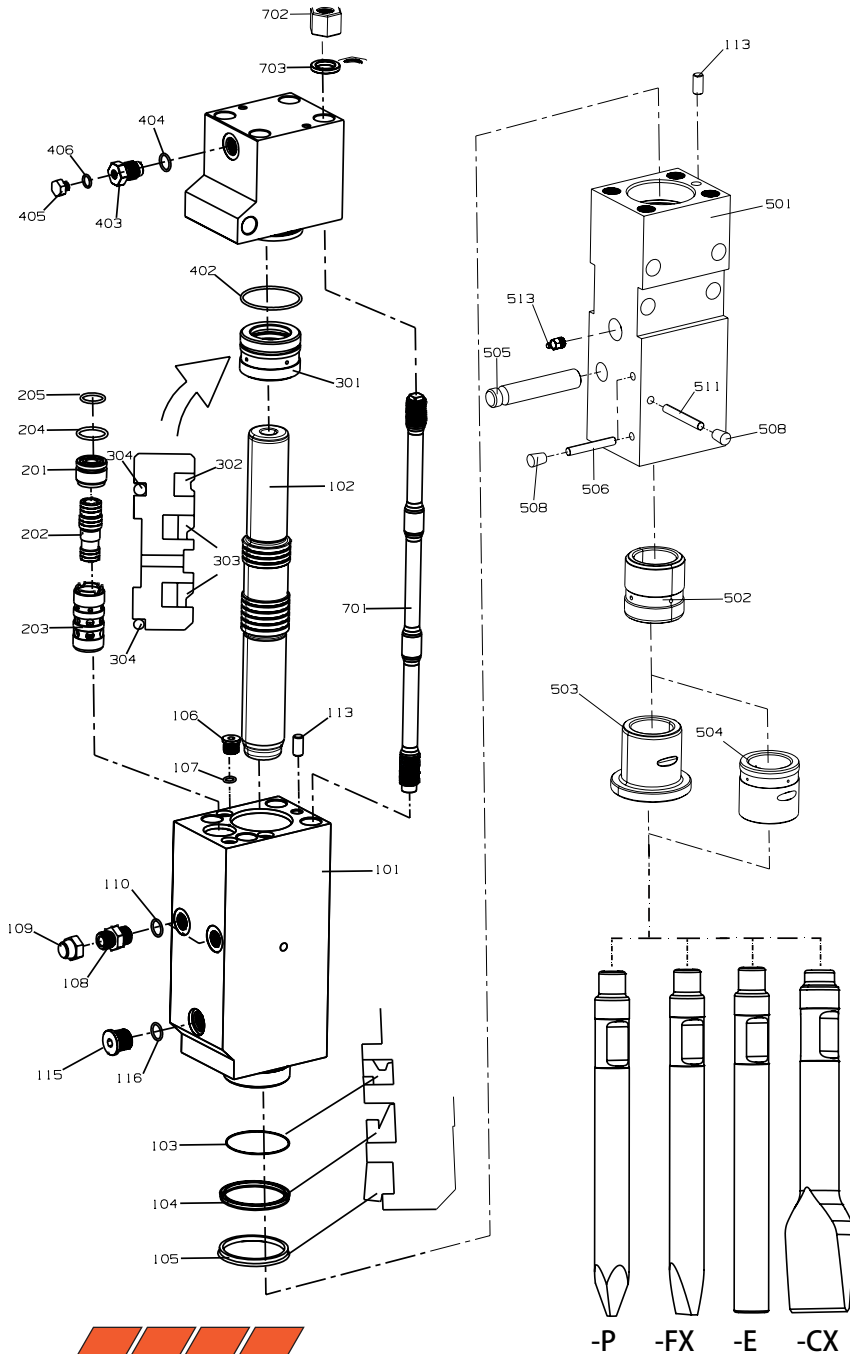


ACDE EUROPE B.V.
Frans Halsstraat 5
6901 DC Zevenaar
The Netherlands

Phone
E-mail
Web
Mobile

+31 316 26 72 91
info@acde-europe.com
www.acde-europe.com
+31 6 53 150 283

ASB53 BODY

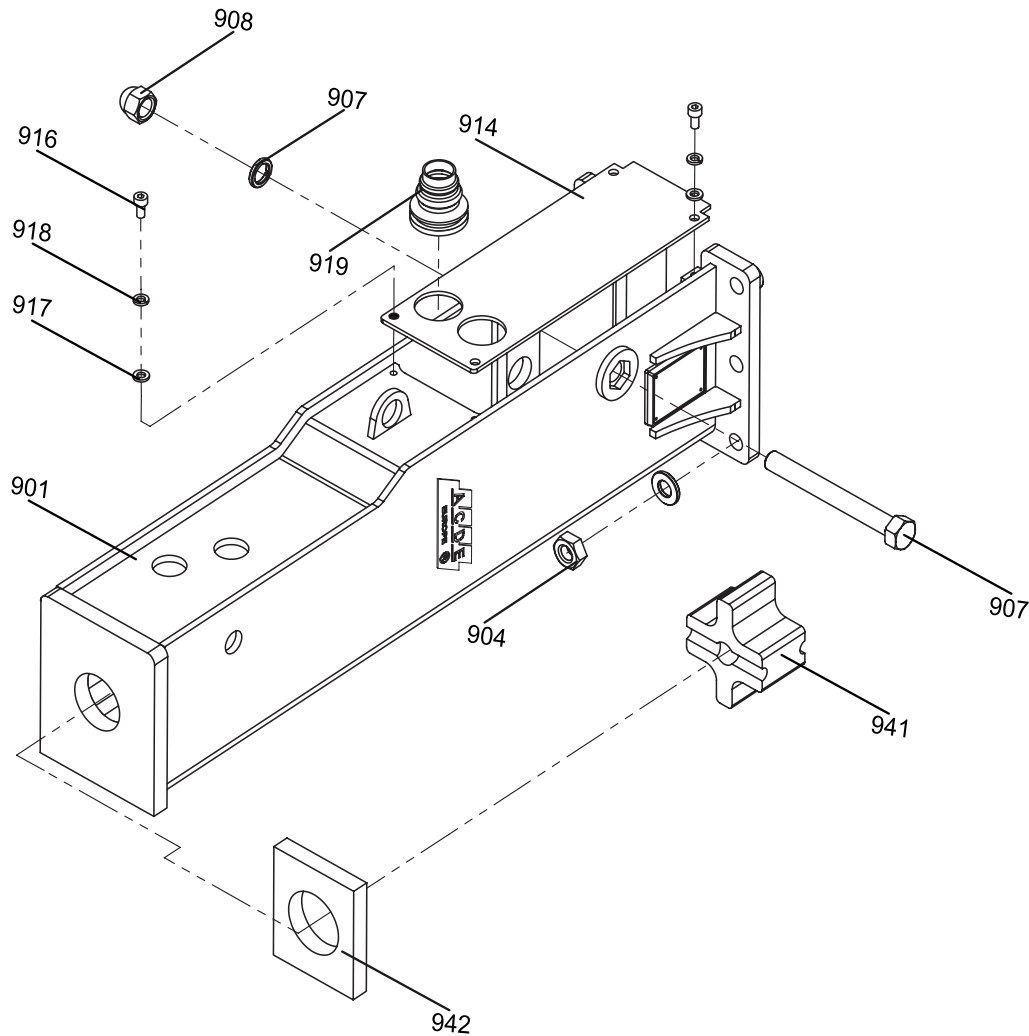


COPYRIGHT © 2018, ACDE EUROPE BV, ALL RIGHTS RESERVED

ASB53 PART LIST

MODEL	DESCRIPTION	SPECIFICATION	QUANTITY
ASB-53-100	CYLINDER ASSEMBLY		
ASB-53-101	CYLINDER	112*160*341	1
ASB-53-102	PISTON	Φ50*Φ59.5*Φ53*430	1
ASB-53-SKX-103	BUFFER RING	SRTN-53	1
ASB-53-SKX-104	U-PACKING	ISI 53*63*6	1
ASB-53-SKX-105	DUST SEAL	DSI 53*61*5*6.5	1
ASB-53-106	CYLINDER PLUG(1)	4GN-04L20	3
ASB-53-SKX-107	CYLINDER PLUG O-RING(1)	1BP-11	3
ASB-53-108	IN/OUT ADAPTER	1BG-08	2
ASB-53-109	IN/OUT ADAPTER COVER	9B-08	2
ASB-53-SKX-110	IN/OUT ADAPTER O-RING	1BP-18	2
ASB-53-113	GUIDE PIN	Φ12.5*30	2
ASB-53-115	PLUG	4HN-24	1
ASB-53-SKX-116	O-RING	1BP-22	1
ASB-53-117	CYLINDER PLUG(2)	4GN-04	1
ASB-53-SKX-118	CYLINDER PLUG O-RING(2)	1BP-11	1
ASB-53-200	VALVE ASSEMBLY		
ASB-53-201	VALVE COVER	φ38*29.5	1
ASB-53-202	VALVE	φ26*φ28*φ24*76	1
ASB-53-203	VALVE SLEEVE	φ38*79.5	1
ASB-53-SKX-204	O-RING	1BP-32	1
ASB-53-SKX-205	O-RING	1BG-25	1
ASB-53-300	PISTON BUSH ASSEMBLY		
ASB-53-301	PISTON BUSH	Φ75*52	1
ASB-53-SKX-302	GAS SEAL	GAS-50*5.5T	1
ASB-53-SKX-303	STEP SEAL	STEP-50	2
ASB-53-SKX-304	O-RING	1BG-70	2
ASB-53-400	BACK HEAD ASSEMBLY		
ASB-53-401	BACK HEAD	112*160*151	1
ASB-53-SKX-402	O-RING	1BG-70	1
ASB-53-403	GAS CHARGING VALVE	G 1/2"	1
ASB-53-SKX-404	O-RING	1BP-18	1
ASB-53-405	GAS CHARGING VALVE COVER	M10*P1.0	1
ASB-53-SKX-406	O-RING	1BP-12	1
ASB-53-500	FRONT HEAD ASSEMBLY		
ASB-53-501	FRONT HEAD	112*132*333	1
ASB-53-502	THRUST BUSH	φ53*φ74*76	1
ASB-53-503	CHISEL BUSH	φ53*φ74*83	1
ASB-53-504	(SILENCED CHISEL BUSH)	φ53*φ74*70	1
ASB-53-505	CHISEL PIN	Φ24*131	1
ASB-53-506	BUSHING PIN	φ10x72	2
ASB-53-507-P	MOIL POINT	Φ53*580	2
ASB-53-507-FX	CHISEL POINT	Φ53*580	2
ASB-53-507-E	BLUNT POINT	Φ53*580	2
ASB-53-507-CX	SPADE TOOL	Φ53*580	2
ASB-53-508	RUBBER PLUG	φ10x25	3
ASB-53-511	LOCKING PIN	φ10x77	1
ASB-53-513	GREASE NIPPLE	G 1/4"	1
ASB-53-700	THROUGH BOLT ASSEMBLY		
ASB-53-701	THROUGH BOLT	M24X2X525	4
ASB-53-702	SCREW NUT(UPPER)	M24X2X29	4
ASB-53-703	WASHER	φ36*φ24.5*5	4

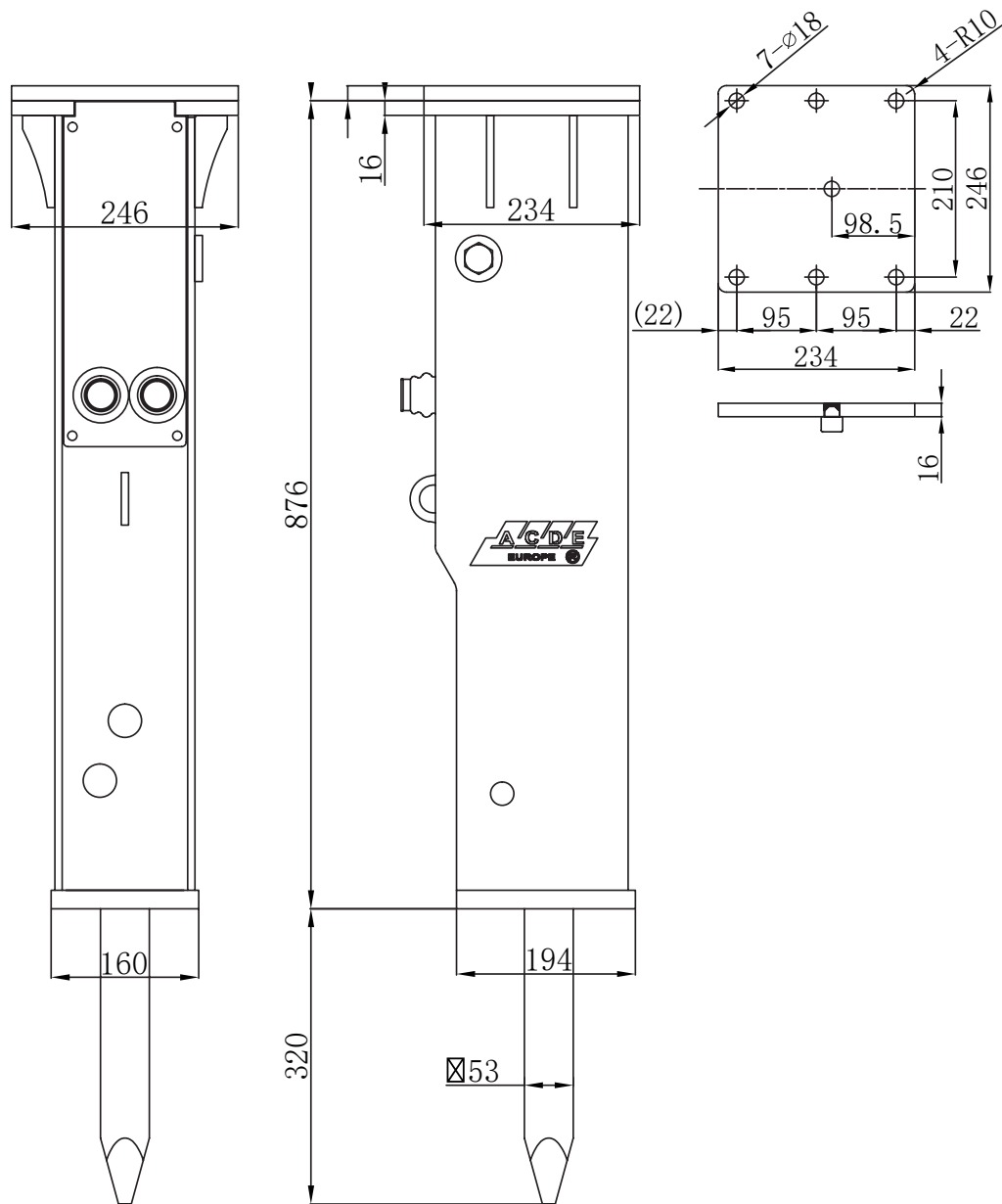
ASB53 HOUSING



ASB53 PART LIST

NO	DESCRIPTION	SPECIFICATION	QUANTITY
ASB53-900	FRAME ASS'Y		
ASB53-901	FRAME(BOX TYPE)		1
ASB53-902	MOUNT CAP		1
ASB53-903	M/C HEX BOLT	M16×60	6
ASB53-904	M/C HEX NUT	M16	6
ASB53-905	M/C SPRING WASHER	16	12
ASB53-907	SIDE HEX BOLT	M20×1.5×175	1
ASB53-908	HEX NUT	M20×1.5	1
ASB53-909	WASHER	φ 21×φ31×5	1
ASB53-914	UP SIDE DAMPER	374×133×4.5	1
ASB53-916	HEX BOLT	M8×16	4
ASB53-917	WASHER	8	4
ASB53-918	SPRING WASHER	8	4
ASB53-919	IN/OUT PLUG		2
ASB53-940	BUFFER PLATE ASS'		
ASB53-941	BACK BUFFER	126×106×65	1
ASB53-942	LOWER DAMPER	132×112×20	1
ASB53-1102	PIN		2
ASB53-1103	T-BUSH		4
ASB53-1104	PIN HEX BOLT	M12×90	2
ASB53-1105	PIN HEX NUT	M12	2
ASB53-1106	STOP BAR		2

ASB53 HOUSING MEASUREMENTS



ACCESSOIRES

IMAGE	MODELL/TYPE	DESCRIPTION
	ACDE	N2 filling device
	ACDE	Hammer paste cartridge
	ACDE	Grease gun + cartridge

BRACKETS

IMAGE	MODELL	DESCRIPTION
	ACDE	CW 05
	ACDE	MS 01
	ACDE	MS 03

