



ADVANCED CONSTRUCTION & DEMOLITION EQUIPMENT

ASB85 PART LIST 3/2018

 **Hydraulische Hamer**

 **Hydrauliek Hammer**

 **Hydraulic Breaker**

 **Marteaux Hydrauliques**

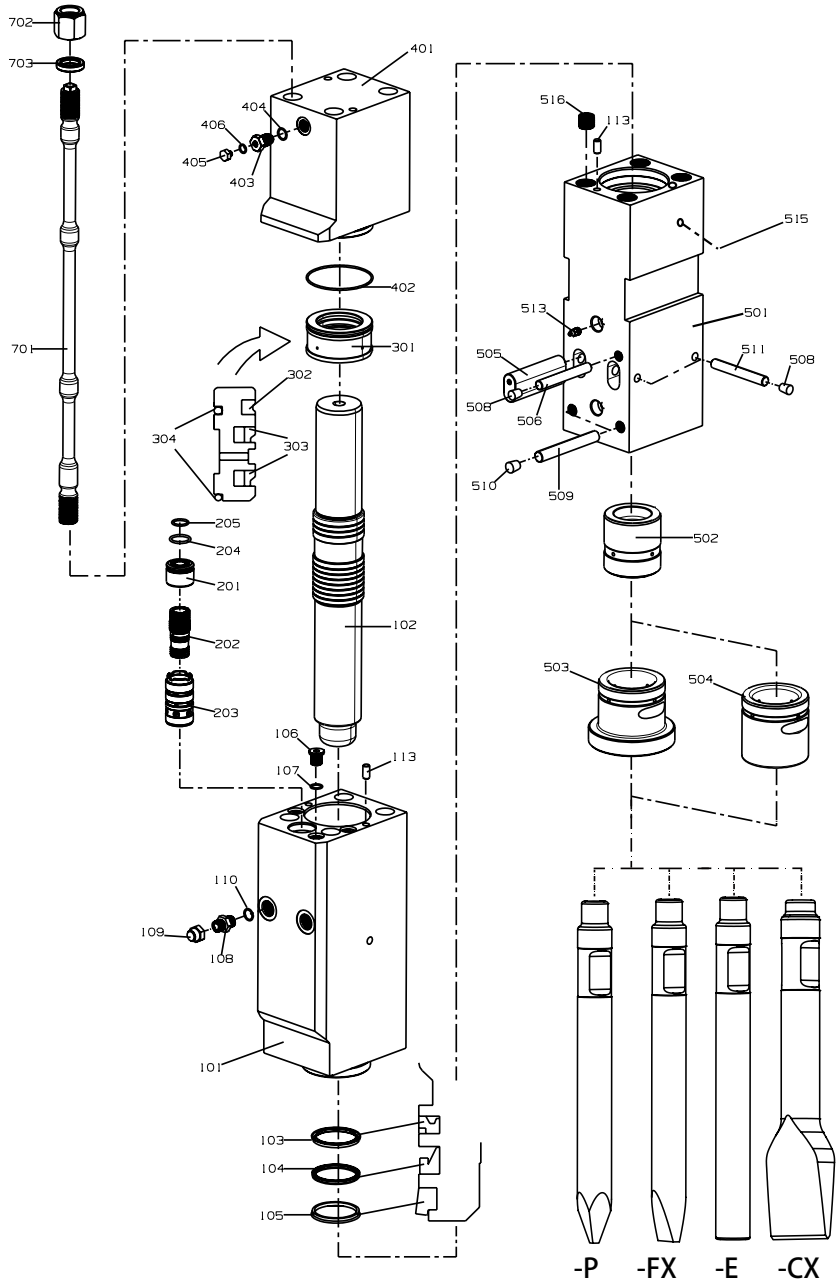


ACDE EUROPE B.V.
Frans Halsstraat 5
6901 DC Zevenaar
The Netherlands

Phone
E-mail
Web
Mobile

+31 316 26 72 91
info@acde-europe.com
www.acde-europe.com
+31 6 53 150 283

ASB85 BODY



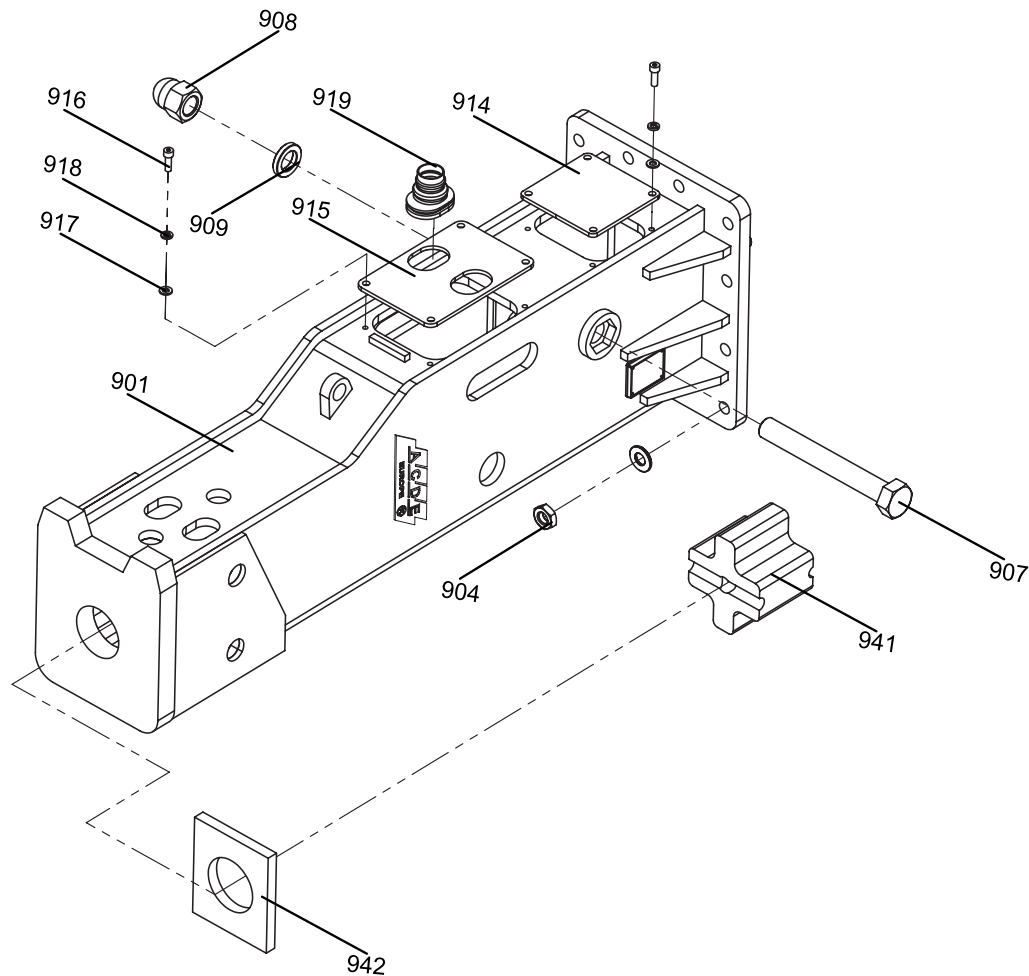
-P -FX -E -CX

ASB85 PART LIST

MODEL	DESCRIPTION	SPECIFICATION	QUANTITY
ASB-85-100	CYLINDER ASSEMBLY		
ASB-85-101	CYLINDER	166*228*489	1
ASB-85-102	PISTON	Φ83.5*Φ92.5*Φ85*662	1
ASB-85-SKX-103	BUFFER RING	HBV 85*100.5*6	1
ASB-85-SKX-104	U-PACKING	ISI 85*100*9	1
ASB-85-SKX-105	DUST SEAL	DSI 85*95*6*8	1
ASB-85-106	CYLINDER PLUG	4HN-20	4
ASB-85-SKX-107	CYLINDER PLUG O-RING	1BP-18	4
ASB-85-108	IN/OUT ADAPTER	1BG-12	2
ASB-85-109	IN/OUT ADAPTER COVER	9B-12	2
ASB-85-SKX-110	IN/OUT ADAPTER O-RING	1BP-24	2
ASB-85-111	EXHAUST VALVE	G1/2	1
ASB-85-SKX-112	O-RING	1BP-18	1
ASB-85-113	GUIDE PIN	Φ12.5*30	2
ASB-85-200	VALVE ASSEMBLY		
ASB-85-201	VALVE COVER	φ50*37.5	1
ASB-85-202	VALVE	φ36*φ37.5*φ34*87	1
ASB-85-203	VALVE SLEEVE	φ50*90.5	1
ASB-85-SKX-204	O-RING	1BG-45	1
ASB-85-SKX-205	O-RING	1BG-30	1
ASB-85-300	PISTON BUSH ASSEMBLY		
ASB-85-301	PISTON BUSH	Φ120*61	1
ASB-85-SKX-302	GAS SEAL	IKH-83.5*93*7.2	1
ASB-85-SKX-303	STEP SEAL	SPNS-83.5	2
ASB-85-SKX-304	O-RING	1BG-115	2
ASB-85-400	BACK HEAD ASSEMBLY		
ASB-85-401	BACK HEAD	166*228*257	1
ASB-85-SKX-402	O-RING	1BG-115	1
ASB-85-403	GAS CHARGING VALVE	G 1/2'	1
ASB-85-SKX-404	O-RING	1BP-18	1
ASB-85-405	GAS CHARGING VALVE COVER	M10*P1.0	1
ASB-85-SKX-406	O-RING	1BP-12	1
ASB-85-500	FRONT HEAD ASSEMBLY		
ASB-85-501	FRONT HEAD	166*192*482	1
ASB-85-502	THRUST BUSH	φ85*φ103*107	1
ASB-85-503	CHISEL BUSH	φ85*φ121*120	1
ASB-85-504	(SILENCED CHISEL BUSH)	φ85*φ121*90	1
ASB-85-505	CHISEL PIN	54*30*133	2
ASB-85-506	BUSHING PIN	φ17.5x127	1
ASB-85-507-P	MOIL POINT	φ85*810	2
ASB-85-507-FX	CHISEL POINT	φ85*810	2
ASB-85-507-E	BLUNT POINT	φ85*810	2
ASB-85-507-CX	SPADE TOOL	φ85*810	2
ASB-85-508	RUBBER PLUG1	φ17.5x20.5	3
ASB-85-509	CHISEL BUSH PIN	φ20x153	2
ASB-85-510	RUBBER PLUG2	φ20x21	2
ASB-85-511	LOCKING PIN	φ17.5x130	2
ASB-85-513	GREASE NIPPLE	G 1/4'	2
ASB-85-515	PROCESS PLUG	M12X1.75X10	1
ASB-85-516	BOLT	ST33*3.5*12	4
ASB-85-700	THROUGH BOLT ASSEMBLY		
ASB-85-701	THROUGH BOLT	M33X3.5X795	4
ASB-85-702	SCREW NUT(UPPER)	M33X3.5X48	4
ASB-85-703	WASHER	φ50*φ33*10	4



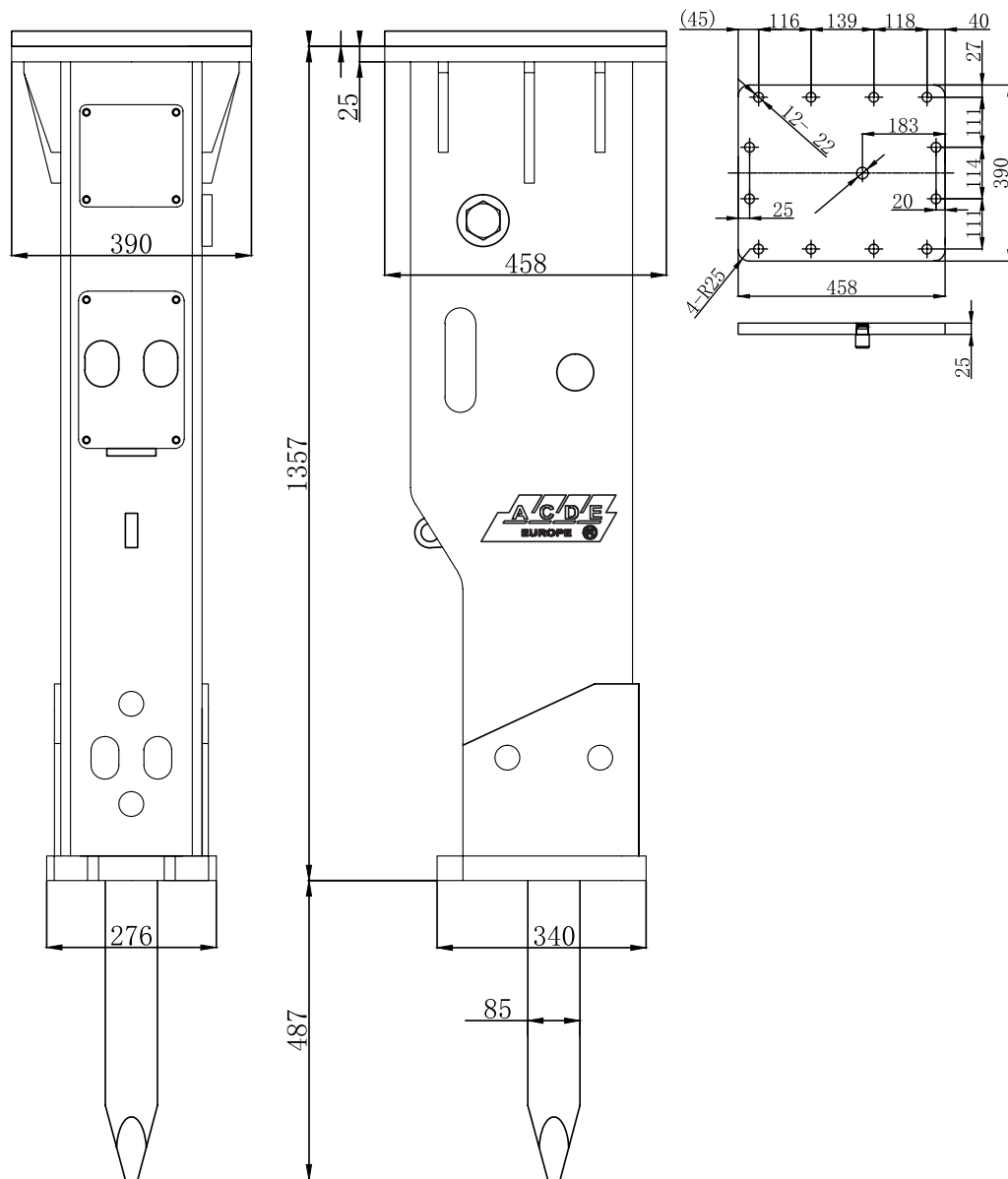
ASB85 HOUSING



ASB85 PART LIST

NO.	DESCRIPTION	SPECIFICATION	QUANTITY
ASB85-900	FRAME ASS'Y		
ASB85-901	FRAME(BOX TYPE)		1
ASB85-902	MOUNT CAP		1
ASB85-903	M/C HEX BOLT	M20×80	12
ASB85-904	M/C HEX NUT	M20	12
ASB85-905	M/C SPRING WASHER	20	24
ASB85-907	SIDE HEX BOLT	M36×3×280	1
ASB85-908	HEX NUT	M36×3	1
ASB85-909	WASHER	φ 36 × φ 59 × 10	1
ASB85-914	COVER PLATE-A	168 × 166 × 7	1
ASB85-915	COVER PLATE-B	256 × 172 × 7	1
ASB85-916	HEX BOLT	M10 × 30	8
ASB85-917	WASHER	10	8
ASB85-918	SPRING WASHER	10	8
ASB85-919	IN/OUT PLUG		2
ASB85-940	BUFFER PLATE ASS'		
ASB85-941	BACK BUFFER	185 × 159 × 129	1
ASB85-942	LOWER DAMPER	192 × 166 × 20	1
ASB85-1102	PIN		2
ASB85-1103	T-BUSH		4
ASB85-1104	PIN HEX BOLT	M12 × 130	2
ASB85-1105	PIN HEX NUT	M12	2
ASB85-1106	STOP BAR		2

ASB85 HOUSING MEASUREMENTS



ACCESSOIRES

IMAGE	MODELL/TYPE	DESCRIPTION
	ACDE	N2 filling device
	ACDE	Hammer paste cartridge
	ACDE	Grease gun + cartridge

BRACKETS

IMAGE	MODELL	DESCRIPTION
	ACDE	CW 05
	ACDE	MS 01
	ACDE	MS 03

