



ADVANCED CONSTRUCTION & DEMOLITION EQUIPMENT

ASB100A PART LIST 3/2018

 **Hydraulische Hamer**

 **Hydrauliek Hammer**

 **Hydraulic Breaker**

 **Marteaux Hydrauliques**

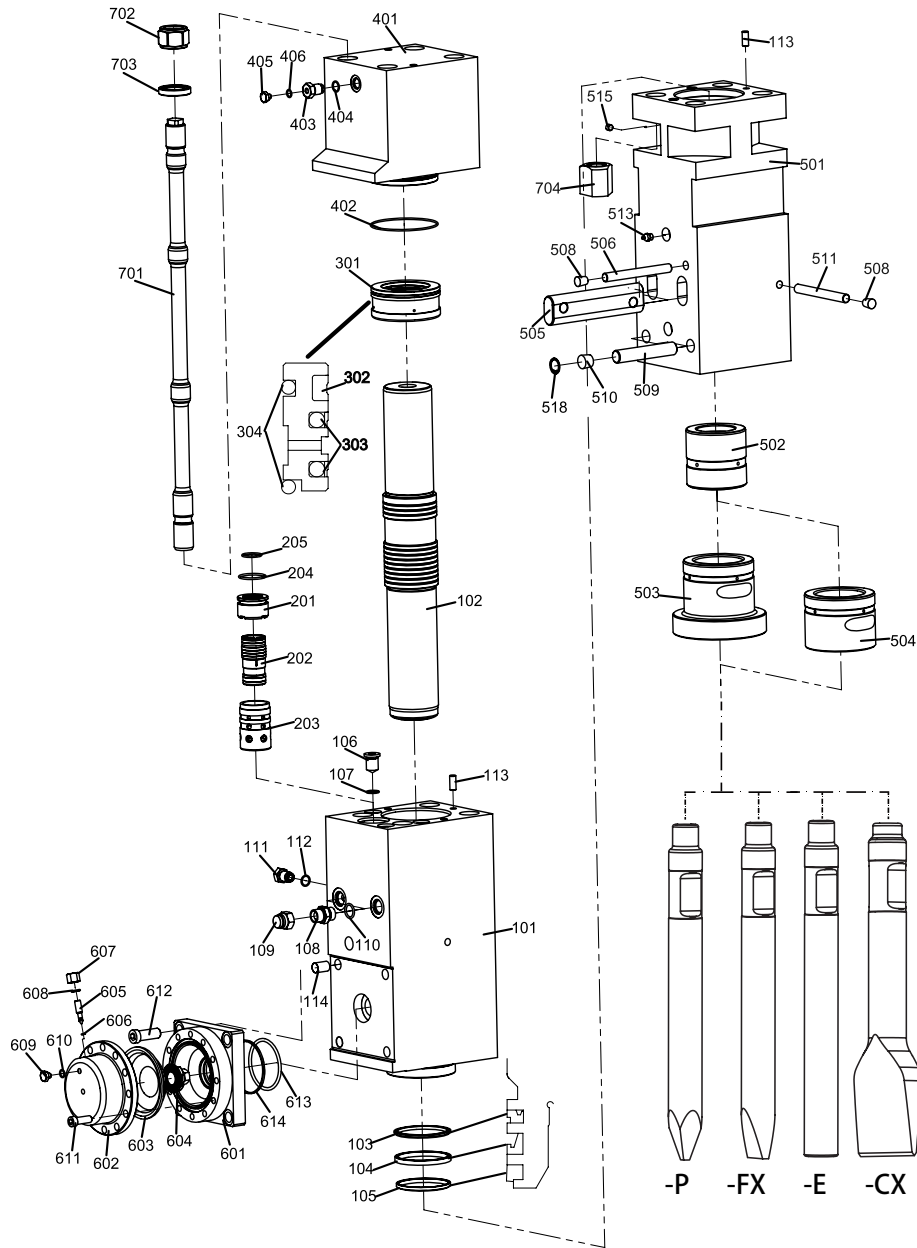


ACDE EUROPE B.V.
Frans Halsstraat 5
6901 DC Zevenaar
The Netherlands

Phone
E-mail
Web
Mobile

+31 316 26 72 91
info@acde-europe.com
www.acde-europe.com
+31 6 53 150 283

ASB100A BODY



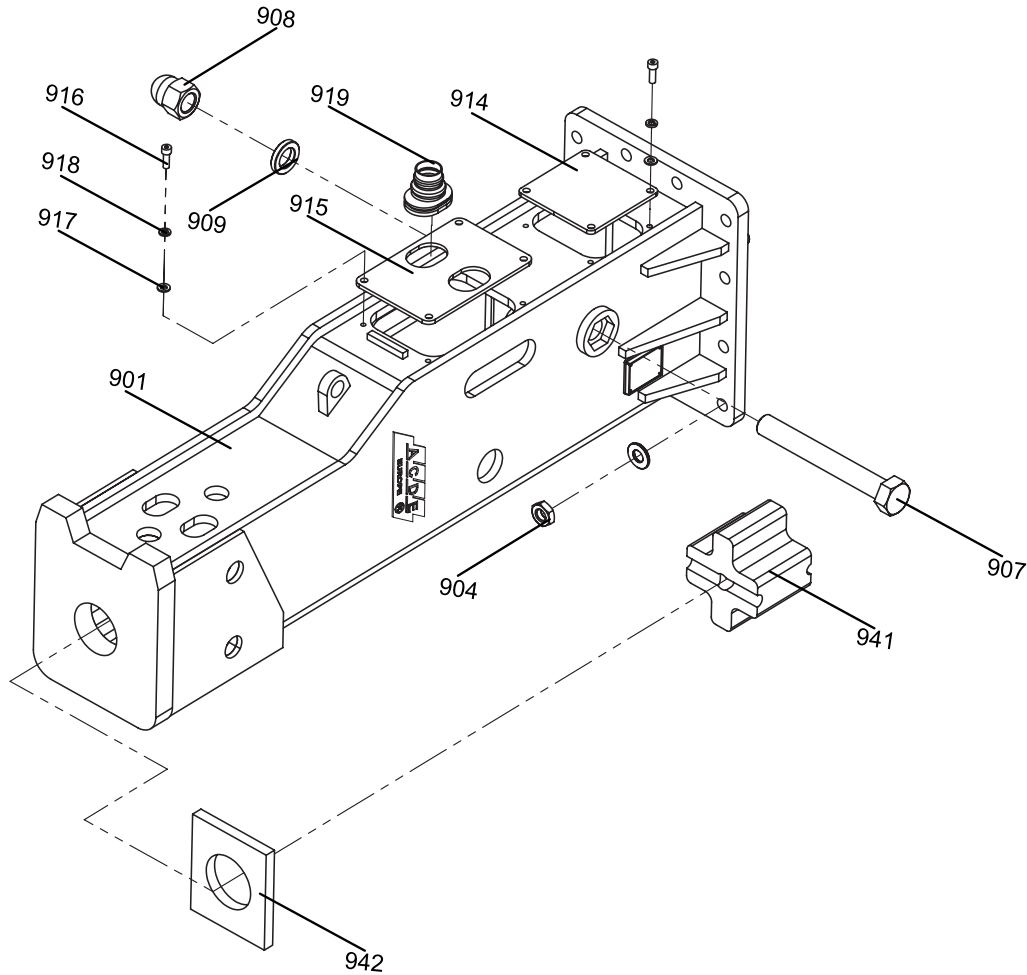
ASB100A PART LIST

| MODEL | DESCRIPTION | SPECIFICATION | QUANTITY |
|------------------|--------------------------|---------------------|----------|
| ASB-100A-100 | CYLINDER ASSEMBLY | | |
| ASB-100A-101 | CYLINDER | 210*267*533 | 1 |
| ASB-100A-102 | PISTON | Φ98*Φ108.5*Φ100*679 | 1 |
| ASB-100A-SKX-103 | BUFFER RING | HBY 100*115.5*6 | 1 |
| ASB-100A-SKX-104 | U-PACKING | ISI 100*115*9 | 1 |
| ASB-100A-SKX-105 | DUST SEAL | DSI 100*110*6*8 | 1 |
| ASB-100A-106 | CYLINDER PLUG | 4HN-24 | 4 |
| ASB-100A-SKX-107 | CYLINDER PLUG O-RING | 1BP-22 | 4 |
| ASB-100A-108 | IN/OUT ADAPTER | 1BG-12 | 2 |
| ASB-100A-109 | IN/OUT ADAPTER COVER | 9B-12 | 2 |
| ASB-100A-SKX-110 | IN/OUT ADAPTER O-RING | 1BP-24 | 2 |
| ASB-100A-111 | EXHAUST VALVE | G 1/2" | 1 |
| ASB-100A-SKX-112 | EXHAUST VALVE O-RING | 1BP-18 | 1 |
| ASB-100A-113 | GUIDE PIN | Φ12.5*30 | 2 |
| ASB-100A-114 | BOLT | ST20*2.5*12 | 4 |
| ASB-100A-200 | VALVE ASSEMBLY | | |
| ASB-100A-201 | VALVE COVER | φ62*42 | 1 |
| ASB-100A-202 | VALVE | φ47.4*φ49*φ46*97 | 1 |
| ASB-100A-203 | VALVE SLEEVE | φ62*93 | 1 |
| ASB-100A-SKX-204 | O-RING | 1BP-52 | 1 |
| ASB-100A-SKX-205 | O-RING | 1BG-35 | 1 |
| ASB-100A-300 | PISTON BUSH ASSEMBLY | | |
| ASB-100A-301 | PISTON BUSH | Φ140*61 | 1 |
| ASB-100A-SKX-302 | GAS SEAL | IKH-98*107.5*7.3 | 1 |
| ASB-100A-SKX-303 | STEP SEAL | SPNS-98 | 2 |
| ASB-100A-SKX-304 | O-RING | 1BG-135 | 2 |
| ASB-100A-400 | BACK HEAD ASSEMBLY | | |
| ASB-100A-401 | BACK HEAD | 210*267*253 | 1 |
| ASB-100A-SKX-402 | O-RING | 1BG-135 | 1 |
| ASB-100A-403 | GAS CHARGING VALVE | G 1/2" | 1 |
| ASB-100A-SKX-404 | O-RING | 1BP-18 | 1 |
| ASB-100A-405 | GAS CHARGING VALVE COVER | M10*P1.0 | 1 |
| ASB-100A-SKX-406 | O-RING | 1BP-12 | 1 |

ASB100A PART LIST

| MODEL | DESCRIPTION | SPECIFICATION | QUANTITY |
|------------------|------------------------------|--------------------|----------|
| ASB-100A-500 | FRONT HEAD ASSEMBLY | | |
| ASB-100A-501 | FRONT HEAD | 210*232*551 | 1 |
| ASB-100A-502 | THRUST BUSH | φ 100* φ 121.5*117 | 1 |
| ASB-100A-503 | CHISEL BUSH | φ 100* φ 143*150 | 1 |
| ASB-100A-504 | (SILENCED CHISEL BUSH) | φ 100* φ 143*110 | 1 |
| ASB-100A-505 | CHISEL PIN | 60*32*232 | 2 |
| ASB-100A-506 | BUSHING PIN | φ 17.5x165 | 1 |
| ASB-100A-507-P | MOIL POINT | φ 100*1000 | 2 |
| ASB-100A-507-FX | CHISEL POINT | φ 100*1000 | 2 |
| ASB-100A-507-E | BLUNT POINT | φ 100*1000 | 2 |
| ASB-100A-507-CX | SPADE TOOL | φ 100*1000 | 2 |
| ASB-100A-508 | RUBBER PLUG1 | φ 17.5x20.5 | 2 |
| ASB-100A-509 | CHISEL BUSH PIN | φ 26x147 | 2 |
| ASB-100A-510 | RUBBER PLUG2 | φ 26x20.5 | 2 |
| ASB-100A-511 | LOCKING PIN | φ 17.5x165 | 1 |
| ASB-100A-513 | GREASE NIPPLE | G 1/4' | 2 |
| ASB-100A-515 | PROCESS PLUG | M12X1.75X10 | 1 |
| ASB-100A-518 | SNAP RING | Ø26 | 2 |
| ASB-100A-600 | ACCUMULATOR ASSEMBLY | | |
| ASB-100A-601 | ACCUMULATOR BOTTOM | 195*195*69 | 1 |
| ASB-100A-602 | ACCUMULATOR COVER | Ø192*66 | 1 |
| ASB-100A-603 | DIAPHRAGM | Ø150*40 | 1 |
| ASB-100A-SKX-604 | INNER VALVE ASSEMBLY | Ø59*14 | 1 |
| ASB-100A-605 | GAS CHARGING ADJUSTER | M12*P1.25 | 1 |
| ASB-100A-SKX-606 | GAS CHARGING O-RING | 1BP-5 | 1 |
| ASB-100A-607 | GAS CHARGING CAP | M12*P1.25 | 1 |
| ASB-100A-SKX-608 | GAS CHARGING CAP O-RING | 1BP-14 | 1 |
| ASB-100A-609 | ACC'COVER CAP | M10*P1.0 | 1 |
| ASB-100A-SKX-610 | ACC'COVER CAP O-RING | 1BP-12 | 1 |
| ASB-100A-611 | INNER COVER HEX.SOCKET BOLT | M14X1.5X40 | 12 |
| ASB-100A-612 | INNER BOTTOM HEX.SOCKET BOLT | M20X2.5X55 | 4 |
| ASB-100A-SKX-613 | O-RING | 1BP-95 | 1 |
| ASB-100A-SKX-614 | WHITE RING | 4BP-95 | 1 |
| ASB-100A-700 | THROUGH BOLT ASSEMBLY | | |
| ASB-100A-701 | THROUGH BOLT | RD39XP3.175X887 | 4 |
| ASB-100A-702 | SCREW NUT(UPPER) | RD39XP3.175X40 | 4 |
| ASB-100A-703 | WASHER | φ 55* φ 40*10 | 4 |
| ASB-100A-704 | SCREW NUT(LOWER) | RD39XP3.175X60 | 4 |

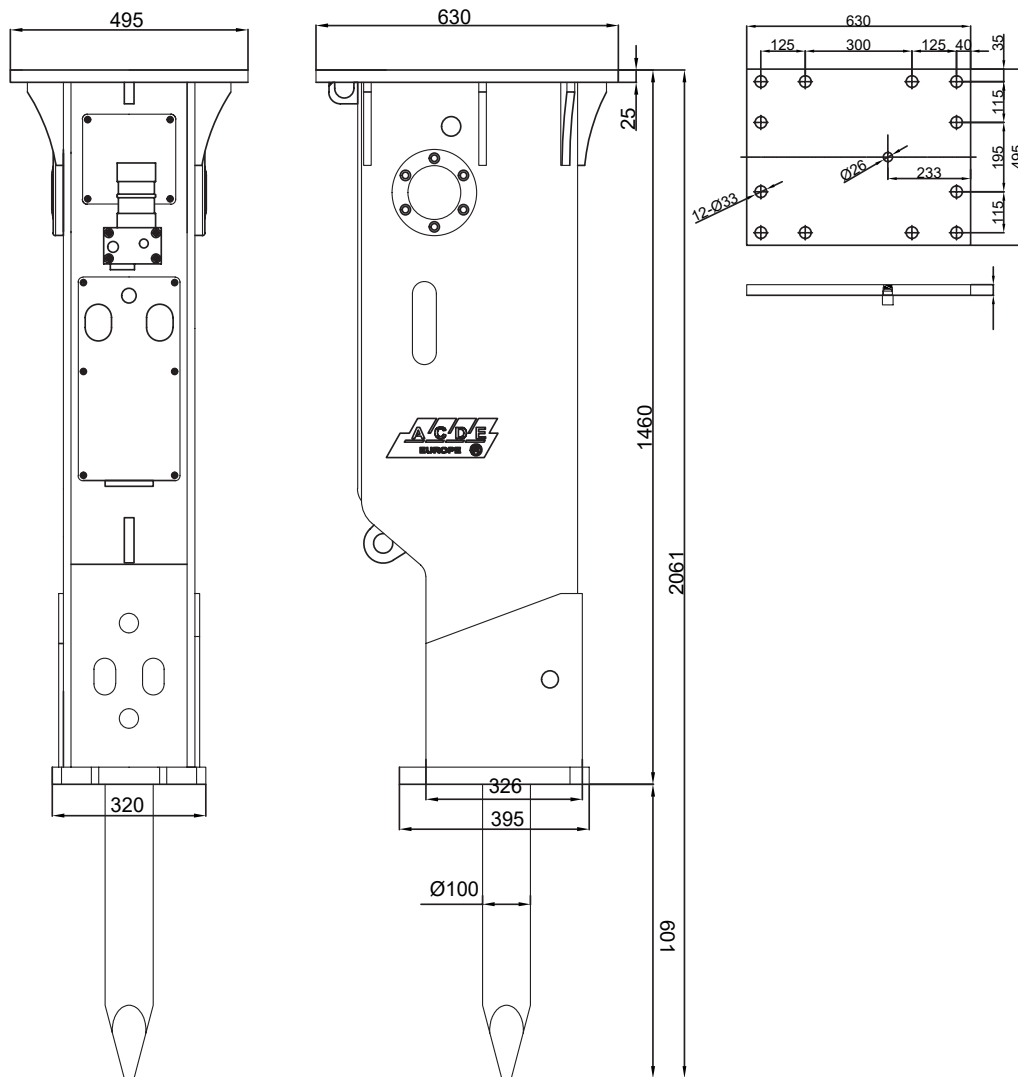
ASB100A HOUSING



ASB100A PART LIST

| NO. | DESCRIPTION | SPECIFICATION | QUANTITY |
|-------------|--------------------|----------------|----------|
| ASB100A-900 | FRAME ASS'Y | | |
| ASB100A-901 | FRAME(BOX TYPE) | 495×630×1460 | 1 |
| ASB100A-902 | MOUNT CAP | 652×50×10 | 1 |
| ASB100A-903 | M/C HEX BOLT | M30×110 | 12 |
| ASB100A-904 | M/C HEX NUT | M30 | 12 |
| ASB100A-905 | M/C SPRING WASHER | 30 | 24 |
| ASB100A-907 | CLAMP DAMPER | φ40×270 | 1 |
| ASB100A-908 | SIDE HEX BOLT | φ120×φ40×55×22 | 2 |
| ASB100A-909 | HEX NUT COVER | φ176×24 | 2 |
| ASB100A-910 | HEX NUT BOLT | M12×30 | 12 |
| ASB100A-911 | WASHER | 12 | 12 |
| ASB100A-914 | COVER PLATE-A | 184×194×7 | 1 |
| ASB100A-915 | COVER PLATE-B | 416×212×7 | 1 |
| ASB100A-916 | HEX BOLT | M10×30 | 10 |
| ASB100A-917 | WASHER | 10 | 10 |
| ASB100A-918 | SPRING WASHER | 10 | 10 |
| ASB100A-919 | IN/OUT PLUG | G3/4 | 2 |
| ASB100A-920 | IN/OUT PLUG COVER | φ30 | 1 |
| ASB100A-940 | BUFFER PLATE ASS' | | |
| ASB100A-941 | BACK BUFFER | 222×200×130 | 1 |
| ASB100A-942 | LOWER DAMPER | 232×210×20 | 1 |
| ASB100A-944 | CLAMP DAMPER | 300×160×16 | 2 |
| ASB100A-945 | SIDE DAMPER | 325×200×16 | 2 |
| ASB100A-946 | UP&DOWN DAMPER | 200×200×16 | 2 |
| ASB100A-947 | SIDE DAMPER | 160×70×16 | 4 |
| ASB100A-950 | AUTOLUB SYSTEM | | |
| ASB100A-951 | AUTOLUB SYSTEM | | 1 |
| ASB100A-952 | OIL HOSE PLUG | G1/4 | 1 |
| ASB100A-953 | HEX BOLT | M10×120 | 4 |
| ASB100A-954 | WASHER | 10 | 4 |
| ASB100A-955 | SPRING WASHER | 10 | 4 |
| ASB100A-956 | AUTOLUB TOOL COVER | | 1 |
| ASB100A-957 | AUTOLUB TOOL NUT | φ18×φ12×35 | 4 |

ASB100A HOUSING MEASUREMENTS



ACCESSOIRES

| IMAGE | MODELL/TYPE | DESCRIPTION |
|-------|-------------|------------------------|
| | ACDE | N2 filling device |
| | ACDE | Hammer paste cartridge |
| | ACDE | Grease gun + cartridge |

BRACKETS

| IMAGE | MODELL | DESCRIPTION |
|-------|--------|-------------|
| | ACDE | CW 05 |
| | ACDE | MS 01 |
| | ACDE | MS 03 |

