



## ADVANCED CONSTRUCTION & DEMOLITION EQUIPMENT

### ASB140A PART LIST 3/2018

 **Hydraulische Hamer**

 **Hydrauliek Hammer**

 **Hydraulic Breaker**

 **Marteaux Hydrauliques**

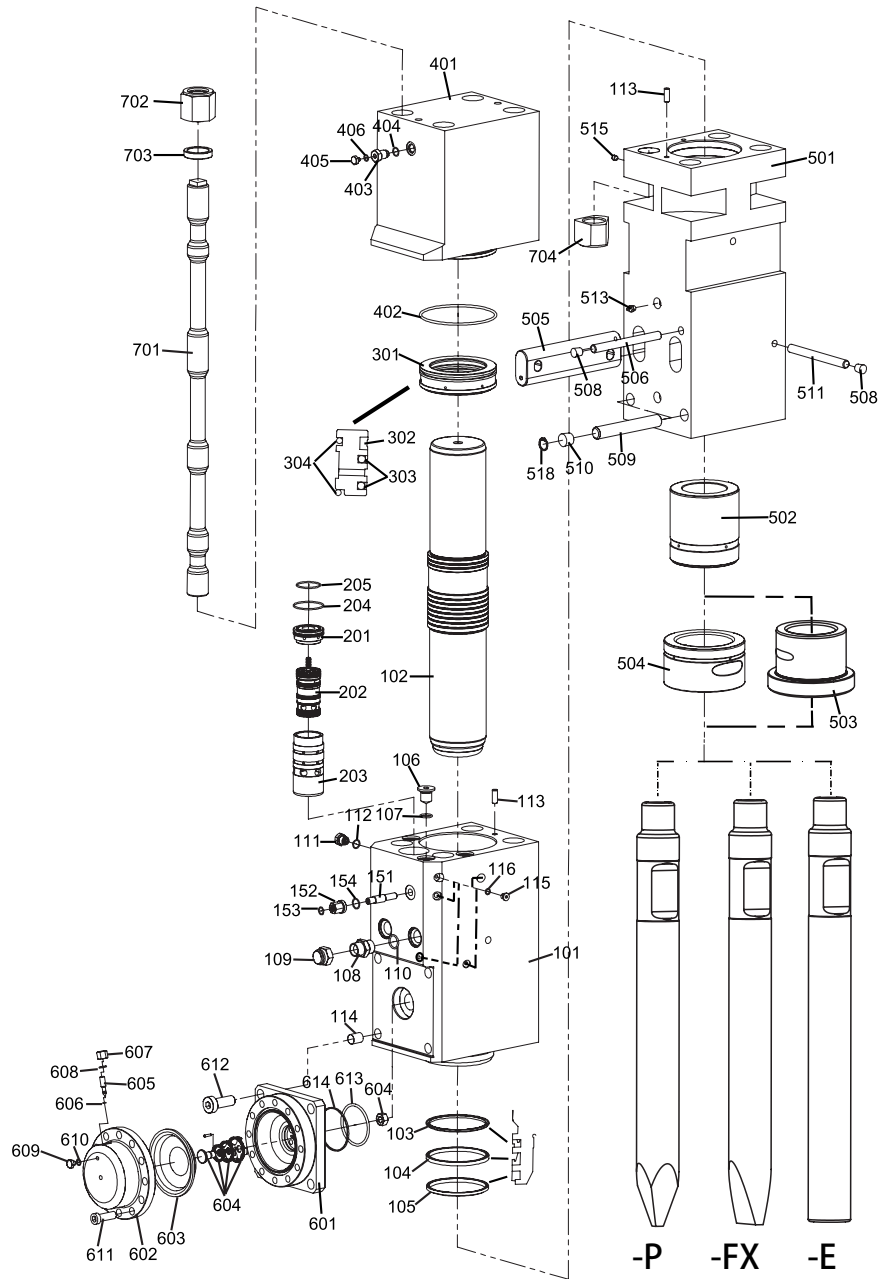


**ACDE EUROPE B.V.**  
Frans Halsstraat 5  
6901 DC Zevenaar  
The Netherlands

**Phone**  
**E-mail**  
**Web**  
**Mobile**

+31 316 26 72 91  
info@acde-europe.com  
www.acde-europe.com  
+31 6 53 150 283

# ASB140A BODY



# ASB140A PART LIST

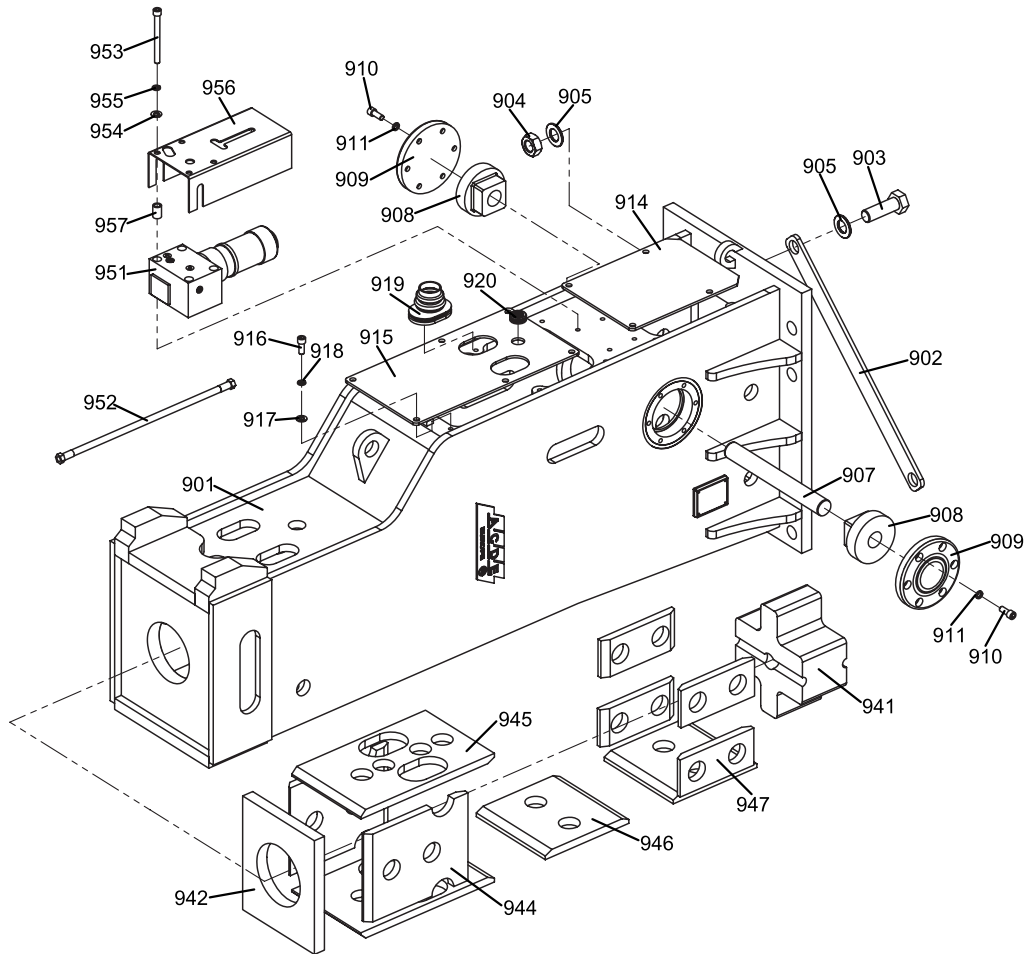
MODEL	DESCRIPTION	SPECIFICATION	QUANTITY
ASB-140A-100	CYLINDER ASSEMBLY		
ASB-140A-101	CYLINDER	257*350*551	1
ASB-140A-102	PISTON	φ138*φ150.5*φ140*790	1
ASB-140A-SKX-103	BUFFER RING	HBV 140*155.5*5.8	1
ASB-140A-SKX-104	U-PACKING	IUIS 140*155*9	1
ASB-140A-SKX-105	DUST SEAL	LBI 140*155*6*8.9	1
ASB-140A-106	CYLINDER PLUG	4HN-27	3
ASB-140A-SKX-107	CYLINDER PLUG O-RING	1BP-24	3
ASB-140A-108	IN/OUT ADAPTER	1BG-16	2
ASB-140A-109	IN/OUT ADAPTER COVER	9B-16	2
ASB-140A-SKX-110	IN/OUT ADAPTER O-RING	1BP-29	2
ASB-140A-111	EXHAUST VALVE	G 1/2'	1
ASB-140A-SKX-112	EXHAUST VALVE O-RING	1BP-18	1
ASB-140A-113	GUIDE PIN	φ12.5*30	2
ASB-140A-114	BOLT	ST24*3*10	4
ASB-140A-115	PLUG	4GN-04	7
ASB-140A-SKX-116	O-RING	1BP-11	7
ASB-140A-150	VALVE ADJUSTER ASSEMBLY		
ASB-140A-151	FRONT VALVE	M18*P1.5*90	1
ASB-140A-152	FRONT VALVE NUT	M18*P1.5*32	1
ASB-140A-SKX-153	FRONT VALVE O-RING	1BP-15	1
ASB-140A-SKX-154	FRONT VALVE O-RING	1BP-22	1
ASB-140A-200	VALVE ASSEMBLY		
ASB-140A-201	VALVE COVER	φ75*34	1
ASB-140A-202	VALVE	φ11.5*φ59.5*φ57*144	1
ASB-140A-203	VALVE SLEEVE	φ75*149	1
ASB-140A-SKX-204	O-RING	1BG-70	1
ASB-140A-SKX-205	O-RING	1BG-55	1
ASB-140A-300	PISTON BUSH ASSEMBLY		
ASB-140A-301	PISTON BUSH	φ190*54	1
ASB-140A-SKX-302	GAS SEAL	IKH-138*150.6*10	1
ASB-140A-SKX-303	STEP SEAL	SPNS-138	2
ASB-140A-SKX-304	O-RING	1BG-180	2
ASB-140A-400	BACK HEAD ASSEMBLY		
ASB-140A-401	BACK HEAD	257*350*353	1
ASB-140A-SKX-402	O-RING	1BG-180	1
ASB-140A-403	GAS CHARGING VALVE	G 1/2'	1
ASB-140A-SKX-404	O-RING	1BP-18	1
ASB-140A-405	GAS CHARGING VALVE COVER	M10*P1.0	1
ASB-140A-SKX-406	O-RING	1BP-12	1



# ASB140A PART LIST

MODEL	DESCRIPTION	SPECIFICATION	QUANTITY
ASB-140A-500	FRONT HEAD ASSEMBLY		
ASB-140A-501	FRONT HEAD	257*306*688	1
ASB-140A-502	THRUST BUSH	φ 140* φ 170*183	1
ASB-140A-503	CHISEL BUSH	φ 140* φ 200*150	1
ASB-140A-504	( SILENCED CHISEL BUSH )	φ 140* φ 200*110	1
ASB-140A-505	CHISEL PIN	89*45*306	2
ASB-140A-506	BUSHING PIN	φ 20x215	1
ASB-140A-507-P	MOIL POINT	φ 140*1250	2
ASB-140A-507-FX	CHISEL POINT	φ 140*1250	2
ASB-140A-507-E	BLUNT POINT	φ 140*1250	2
ASB-140A-508	RUBBER PLUG1	φ 20x21	2
ASB-140A-509	CHISEL BUSH PIN	φ 30x204	2
ASB-140A-510	RUBBER PLUG2	φ 30x24	2
ASB-140A-511	LOCKING PIN	φ 20x215	1
ASB-140A-513	GREASE NIPPLE	G 1/4'	2
ASB-140A-515	PROCESS PLUG	M12X1.75X10	1
ASB-140A-518	SNAP RING	Φ32.1	2
ASB-140A-600	ACCUMULATOR ASSEMBLY		
ASB-140A-601	ACCUMULATOR BOTTOM	230*234*77	1
ASB-140A-602	ACCUMULATOR COVER	Φ228*81	1
ASB-140A-603	DIAPHRAGM	φ 170*35	1
ASB-140A-SKX-604	INNER VALVE ASSEMBLY	Φ64*15	1
ASB-140A-605	GAS CHARGING ADJUSTER	M12*P1.25	1
ASB-140A-SKX-606	GAS CHARGING O-RING	1BP-5	1
ASB-140A-607	GAS CHARGING CAP	M12*P1.25	1
ASB-140A-SKX-608	GAS CHARGING CAP O-RING	1BP-14	1
ASB-140A-609	ACC'COVER CAP	M10*P1.0	1
ASB-140A-SKX-610	ACC'COVER CAP O-RING	1BP-12	1
ASB-140A-611	INNER COVER HEX.SOCKET BOLT	M18*1.5*45	12
ASB-140A-612	INNER BOTTOM HEX.SOCKET BOLT	M24*3.0*60	4
ASB-140A-SKX-613	O-RING	1BP-95	1
ASB-140A-SKX-614	WHITE RING	4BP-95	1
ASB-140A-700	THROUGH BOLT ASSEMBLY		
ASB-140A-701	THROUGH BOLT	RD52XP4.233X1050	4
ASB-140A-702	SCREW NUT(UPPER)	RD52XP4.233X70	4
ASB-140A-703	WASHER	φ 70* φ 53*15	4
ASB-140A-704	SCREW NUT(LOWER)	RD52XP4.233X60	4

# ASB140A HOUSING

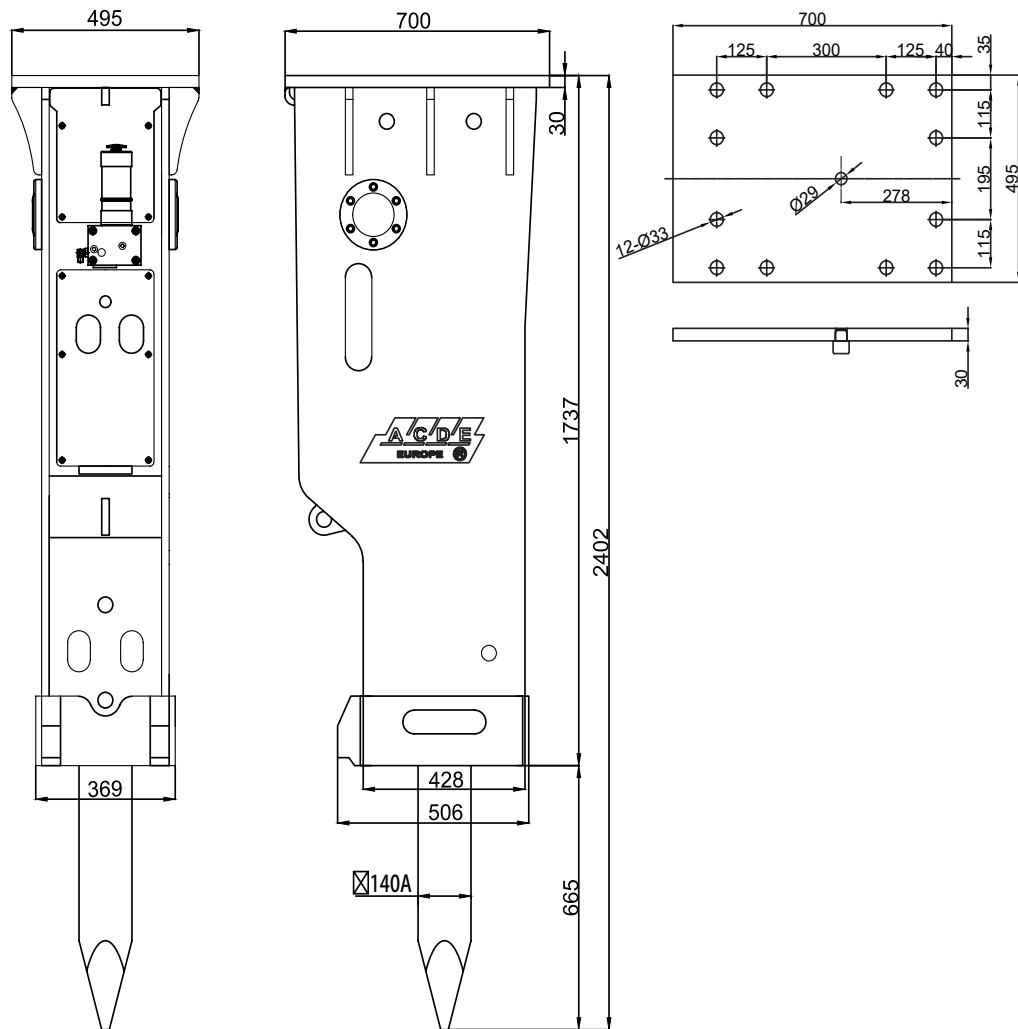


# ASB140A PART LIST




NO.	DESCRIPTION	SPECIFICATION	QUANTITY
ASB140A-900	FRAME ASS'Y		
ASB140A-901	FRAME(BOX TYPE)	495×700×1737	1
ASB140A-902	MOUNT CAP	652×50×10	1
ASB140A-903	M/C HEX BOLT	M30×110	12
ASB140A-904	M/C HEX NUT	M30	12
ASB140A-905	M/C SPRING WASHER	30	24
ASB140A-907	CLAMP DAMPER	φ 40×335	1
ASB140A-908	CLAMP BOLT	φ 120× φ 40×65×30	2
ASB140A-909	CLAMP BOLT COVER	φ 176×24	2
ASB140A-910	HEX BOLT	M12×30	12
ASB140A-911	HEX NUT	12	12
ASB140A-914	COVER PLATE-A	340×257×6	1
ASB140A-915	COVER PLATE-B	494×257×6	1
ASB140A-916	HEX BOLT	M12×30	10
ASB140A-917	WASHER	12	10
ASB140A-918	SPRING WASHER	12	10
ASB140A-919	IN/OUT PLUG	G1	2
ASB140A-920	IN/OUT PLUG COVER	φ 30	1
ASB140A-940	BUFFER PLATE ASS'		
ASB140A-941	BACK BUFFER	287×239×132	1
ASB140A-942	LOWER DAMPER	306×257×30	1
ASB140A-944	CLAMP DAMPER	300×236×20	2
ASB140A-945	SIDE DAMPER	400×247×20	2
ASB140A-946	UP&DOWN DAMPER	250×247×20	2
ASB140A-947	SIDE DAMPER	220×100×20	4
ASB140A-950	AUTOLUB SYSTEM		
ASB140A-951	AUTOLUB SYSTEM		1
ASB140A-952	OIL HOSE PLUG	G1/4	1
ASB140A-953	HEX BOLT	M12×130	4
ASB140A-954	WASHER	12	4
ASB140A-955	SPRING WASHER	12	4
ASB140A-956	AUTOLUB TOOL COVER		1
ASB140A-957	AUTOLUB TOOL NUT	φ 20× φ 13×30	4



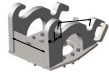


## ASB140A HOUSING MEASUREMENTS



## ACCESSOIRES

IMAGE	MODELL/TYPE	DESCRIPTION
	ACDE	N2 filling device
	ACDE	Hammer paste cartridge
	ACDE	Grease gun + cartridge

## BRACKETS

IMAGE	MODELL	DESCRIPTION
	ACDE	CW 05
	ACDE	MS 01
	ACDE	MS 03

