



ADVANCED CONSTRUCTION & DEMOLITION EQUIPMENT

ASB165 PART LIST 5/2018

 Hydraulische Hamer  Hydrauliek Hammer
 Hydraulic Breaker  Marteaux Hydrauliques

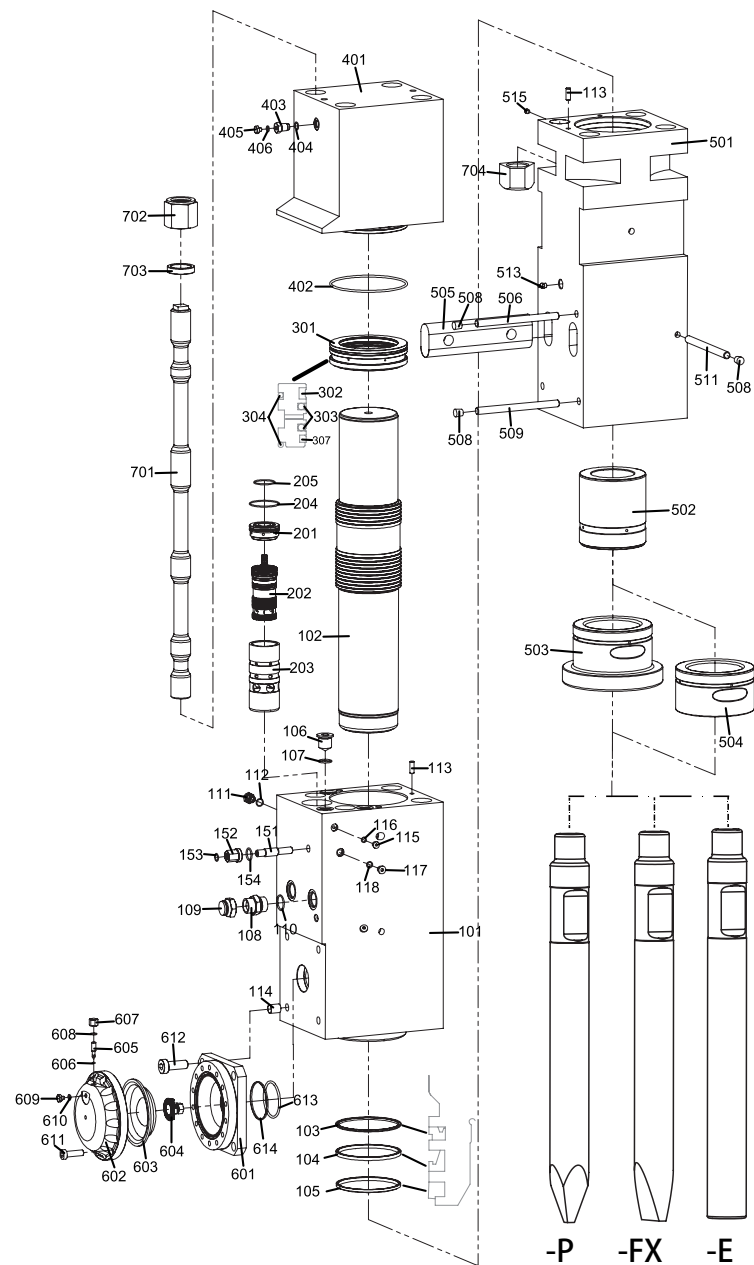


ACDE EUROPE B.V.
Frans Halsstraat 5
6901 DC Zevenaar
The Netherlands

Phone +31 316 26 72 91
E-mail info@acde-europe.com
Web www.acde-europe.com
Mobile +31 6 53 150 283

COPYRIGHT © 2018, ACDE EUROPE BV,
ALL RIGHTS RESERVED

ASB165 BODY



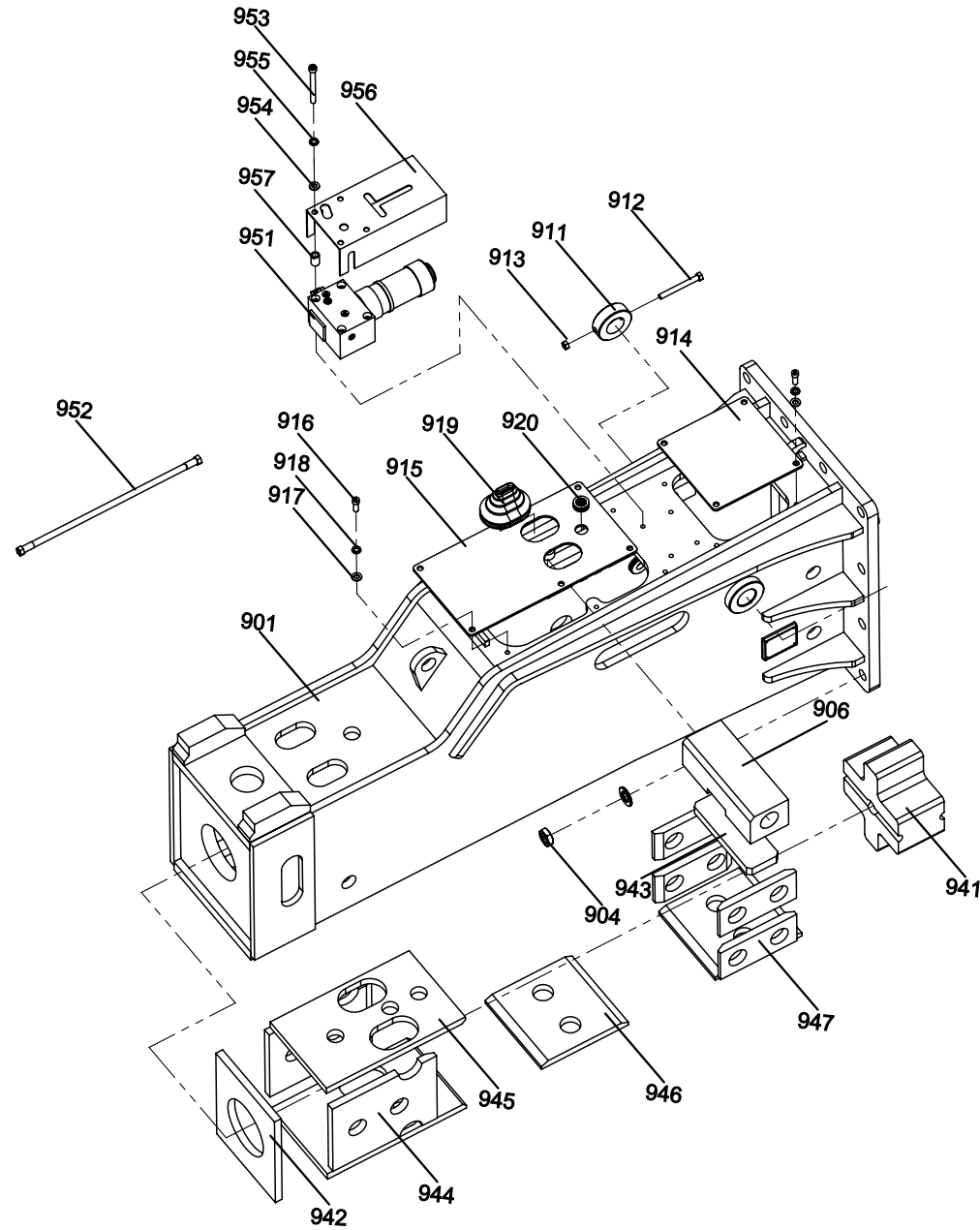
ASB165 PART LIST

MODEL	DESCRIPTION	SPECIFICATION	QUANTITY
ASB-165-100	CYLINDER ASSEMBLY		
ASB-165-101	CYLINDER	298*382*686	1
ASB-165-102	PISTON	Φ167*Φ184.5*Φ170*915	1
ASB-165-SKX-103	BUFFER RING	HBV 170*185.5*6	1
ASB-165-SKX-104	U-PACKING	IUIS 170*185*9	1
ASB-165-SKX-105	DUST SEAL	LBI 170*183*7*9.5	1
ASB-165-106	CYLINDER PLUG	4HN-36	3
ASB-165-SKX-107	CYLINDER PLUG O-RING	1BP-32	3
ASB-165-108	IN/OUT ADAPTER	1BG-20	2
ASB-165-109	IN/OUT ADAPTER COVER	9B-20	2
ASB-165-SKX-110	IN/OUT ADAPTER O-RING	1BP-38	2
ASB-165-111	EXHAUST VALVE	G 1/2"	1
ASB-165-SKX-112	EXHAUST VALVE O-RING	1BP-18	1
ASB-165-113	GUIDE PIN	Φ12.5*30	2
ASB-165-114	BOLT	ST24*3*10	4
ASB-165-115	PLUG	4GN-04	6
ASB-165-SKX-116	O-RING	1BP-11	6
ASB-165-117	PLUG	4GN-06	1
ASB-165-SKX-118	O-RING	1BP-14	1
ASB-165-150	VALVE ADJUSTER ASSEMBLY		
ASB-165-151	FRONT VALVE	M22*P1.5*96	1
ASB-165-152	FRONT VALVE NUT	M22*P1.5*33	1
ASB-165-SKX-153	FRONT VALVE O-RING	1BP-18	1
ASB-165-SKX-154	FRONT VALVE O-RING	1BP-29	1
ASB-165-200	VALVE ASSEMBLY		
ASB-165-201	VALVE COVER	φ85*38	1
ASB-165-202	VALVE	φ15*φ71*φ68*147	1
ASB-165-203	VALVE SLEEVE	φ85*190	1
ASB-165-SKX-204	O-RING	1BG-80	1
ASB-165-SKX-205	O-RING	1BG-55	1
ASB-165-300	PISTON BUSH ASSEMBLY		
ASB-165-301	PISTON BUSH	Φ220*60	1
ASB-165-SKX-302	GAS SEAL	IKH 167*179.1*10	1
ASB-165-SKX-303	STEP SEAL	SPNS 167	2
ASB-165-SKX-304	O-RING	1BG-210	2
ASB-165-SKX-307	BUFFER RING	SRTN 167	1
ASB-165-400	BACK HEAD ASSEMBLY		
ASB-165-401	BACK HEAD	298*382*380	1
ASB-165-SKX-402	O-RING	1BG-210	1
ASB-165-403	GAS CHARGING VALVE	G 1/2"	1
ASB-165-SKX-404	O-RING	1BP-18	1
ASB-165-405	GAS CHARGING VALVE COVER	M10*P1.0	1
ASB-165-SKX-406	O-RING	1BP-12	1

ASB165 PART LIST

MODEL	DESCRIPTION	SPECIFICATION	QUANTITY
ASB-165-500	FRONT HEAD ASSEMBLY		
ASB-165-501	FRONT HEAD	298*328*839	1
ASB-165-502	THRUST BUSH	φ165*φ202*212	1
ASB-165-503	CHISEL BUSH	φ165*φ238*200	1
ASB-165-504	(SILENCED CHISEL BUSH)		
ASB-165-505	CHISEL PIN	96*52*326	2
ASB-165-506	BUSHING PIN	φ20x257	1
ASB-165-507-P	MOIL POINT	φ165*1600	2
ASB-165-507-FX	CHISEL POINT	φ165*1600	2
ASB-165-507-E	BLUNT POINT	φ165*1600	2
ASB-165-508	RUBBER PLUG	φ20x21	4
ASB-165-509	CHISEL BUSH PIN	φ20x257	2
ASB-165-511	LOCKING PIN	φ20x257	1
ASB-165-513	GREASE NIPPLE	G 1/4"	1
ASB-165-515	PROCESS PLUG	M12X1.75X10	1
ASB-165-600	ACCUMULATOR ASSEMBLY		
ASB-165-601	ACCUMULATOR BOTTOM	257*257*79	1
ASB-165-602	ACCUMULATOR COVER	Φ253*74	1
ASB-165-603	DIAPHRAGM	φ192*40	1
ASB-165-SKX-604	INNER VALVE ASSEMBLY	Φ65*8/Φ60*7/10	1
ASB-165-605	GAS CHARGING ADJUSTER	M12*P1.25	1
ASB-165-SKX-606	GAS CHARGING O-RING	1BP-5	1
ASB-165-607	GAS CHARGING CAP	M12*P1.25	1
ASB-165-SKX-608	GAS CHARGING CAP O-RING	1BP-14	1
ASB-165-609	ACC'COVER CAP	M10*P1.0	1
ASB-165-SKX-610	ACC'COVER CAP O-RING	1BP-12	1
ASB-165-611	INNER COVER HEX.SOCKET BOLT	M16*P2.0*40	14
ASB-165-612	INNER BOTTOM HEX.SOCKET BOLT	M24*P3.0*60	4
ASB-165-SKX-613	O-RING	1BP-95	1
ASB-165-SKX-614	WHITE RING	4BP-95	1
ASB-165-700	THROUGH BOLT ASSEMBLY		
ASB-165-701	THROUGH BOLT	RD56XP4.233X1211	4
ASB-165-702	SCREW NUT(UPPER)	RD56XP4.233X55	4
ASB-165-703	WASHER	φ75*φ58*15	4
ASB-165-704	SCREW NUT(LOWER)	RD56XP4.233X65	4

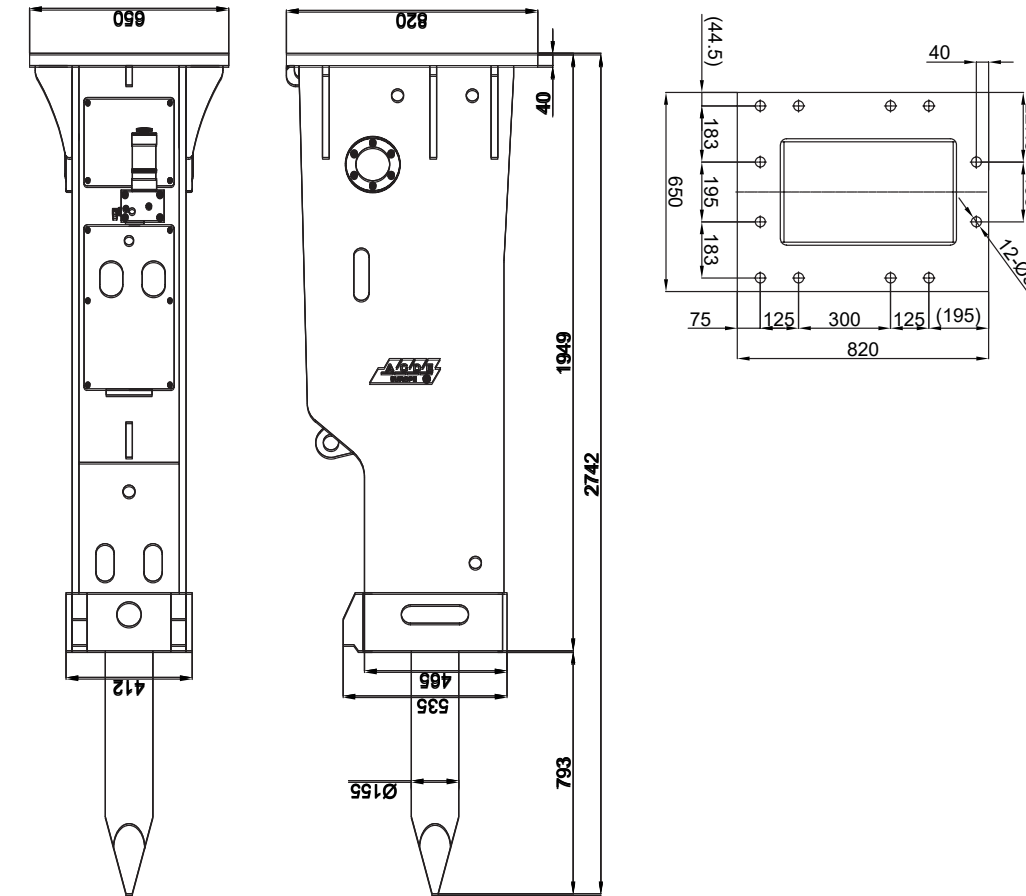
ASB165 HOUSING



ASB165 PART LIST

MODEL	DESCRIPTION	SPECIFICATION	QUANTITY
ASB-165-900	FRAME ASS'Y		
ASB-165-901	FRAME(BOX TYPE)		1
ASB-165-906	CLAMP DAMPER	338 × 140 × 110	1
ASB-165-910	CLAMP BOLT	φ 60 × 450	1
ASB-165-911	STOP BAR	φ 60 × φ 113 × 35	1
ASB-165-912	HEX BOLT	M12 × 130	1
ASB-165-913	HEX NUT	M12	1
ASB-165-914	COVER PLATE-A	310 × 298 × 7	1
ASB-165-915	COVER PLATE-B	555 × 298 × 7	1
ASB-165-916	HEX BOLT	M14 × 35	10
ASB-165-917	WASHER	14	10
ASB-165-918	SPRING WASHER	14	10
ASB-165-919	IN/OUT PLUG		2
ASB-165-920	IN/OUT PLUG COVER		1
ASB-165-940	BUFFER PLATE ASS'		
ASB-165-941	BACK BUFFER	309 × 280 × 153	1
ASB-165-942	LOWER DAMPER	328 × 298 × 30	1
ASB-165-943	CLAMP DAMPER	288 × 120 × 25	1
ASB-165-944	SIDE DAMPER	320 × 260 × 20	2
ASB-165-945	UP&DOWN DAMPER	465 × 288 × 20	2
ASB-165-946	SIDE DAMPER	288 × 250 × 20	2
ASB-165-947	SIDE DAMPER	220 × 100 × 20	4
ASB-165-950	AUTOLUB SYSTEM		
ASB-165-951	AUTOLUB SYSTEM		1
ASB-165-952	OIL HOSE PLUG	G1/4	1
ASB-165-953	HEX BOLT	M12 × 120	4
ASB-165-954	WASHER	12	4
ASB-165-955	SPRING WASHER	12	4
ASB-165-956	AUTOLUB TOOL COVER		1
ASB-165-957	AUTOLUB TOOL NUT	φ 20 × φ 13 × 30	4

ASB165 HOUSING MEASUREMENTS



ACCESOIRES

IMAGE	MODELL/TYPE	DESCRIPTION
	ACDE	N2 filling device
	ACDE	Hammer paste cartridge
	ACDE	Grease gun + cartridge

BRACKETS

IMAGE	MODELL	DESCRIPTION
	ACDE	CW 05
	ACDE	MS 01
	ACDE	MS 03



COPYRIGHT © 2018, ACDE EUROPE BV,
ALL RIGHTS RESERVED

ACDE EUROPE B.V.
Frans Halsstraat 5
6901 DC Zevenaar
The Netherlands

Phone
E-mail
Web
Mobile

+31 316 26 72 91
info@acde-europe.com
www.acde-europe.com
+31 6 53 150 283