



ADVANCED CONSTRUCTION & DEMOLITION EQUIPMENT

ASB135A PARTSLIST 06/2019

 **Hydraulische Hamer**

 **Hydrauliek Hammer**

 **Hydraulic Breaker**

 **Marteaux Hydrauliques**



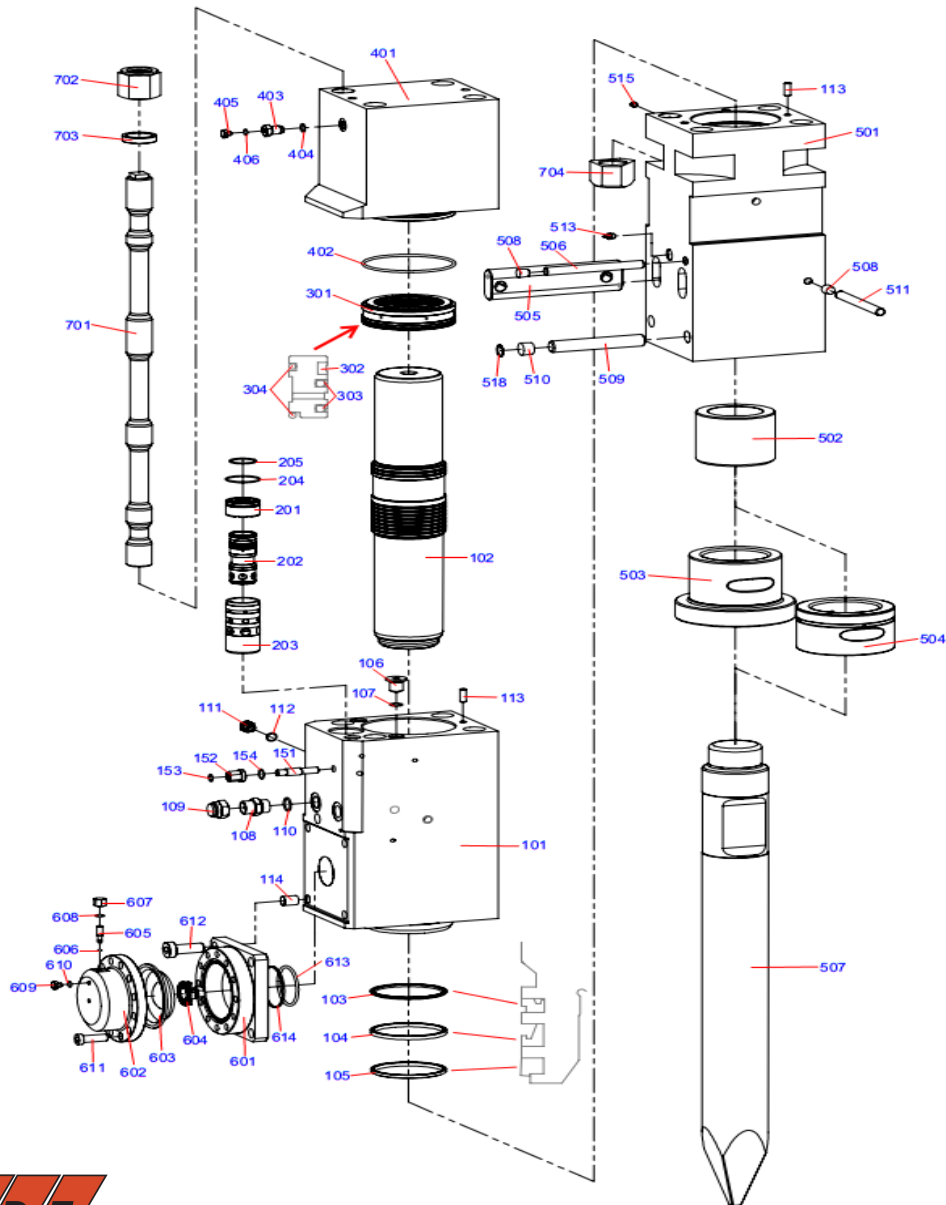
ACDE EUROPE B.V.
Frans Halsstraat 5
6901DC Zevenaar
The Netherlands

Phone +31 316 26 72 91
E-mail info@acde-europe.com
Web www.acde-europe.com
Mobile +31 6 53 150 283

**COPYRIGHT©, ACDE EUROPE BV,
ALL RIGHTS RESERVED**

ASB135 BODY

ASB135 PART LIST



PART NO.	PART NAME	SPECIFICATION
135-100	CYLINDER ASSEMBLY	
135-101	CYLINDER	248*333*540
135-102	PISTON	Φ138*Φ150.5*Φ140*734
135-103	BUFFER RING	HBY 140*155.5*5.8
135-104	U-PACKING	IUIS 140*155*9
135-105	DUST SEAL	LBI 140*155*6*8.9
135-106	CYLINDER PLUG	4HN-25
135-107	CYLINDER PLUG O-RING	1BP-22A
135-108	IN/OUT ADAPTER	1BG-16
135-109	IN/OUT ADAPTER COVER	9B-16
135-110	IN/OUT ADAPTER O-RING	1BP-29
135-111	EXHAUST VALVE	G 1/2'
135-112	EXHAUST VALVE O-RING	1BP-18
135-113	GUIDE PIN	Φ12.5*30
135-114	BOLT	ST24*3*10
135-150	VALVE ADJUSTER ASSEMBLY	
135-151	FRONT VALVE	M18*P1.5*90
135-152	FRONT VALVE NUT	M18*P1.5*32
135-153	FRONT VALVE O-RING	1BP-15
135-154	O-RING	1BP-22
135-200	VALVE ASSEMBLY	
135-201	VALVE COVER	φ70*36
135-202	VALVE	φ54*142
135-203	VALVE SLEEVE	φ70*145
135-204	O-RING	1BG-65
135-205	O-RING	1BG-50

ASB135A PARTS LIST

PART NO.	PART NAME	SPECIFICATION
135-300	PISTON BUSH ASSEMBLY	
135-301	PISTON BUSH	Φ190*54
135-302	GAS SEAL	IKH-138*150.6*10
135-303	STEP SEAL	SPNS-138
135-304	O-RING	1BG-180
135-400	BACK HEAD ASSEMBLY	
135-401	BACK HEAD	248X333X320
135-402	O-RING	1BG-180
135-403	GAS CHARGING VALVE	G 1/2'
135-404	O-RING	1BP-18
135-405	GAS CHARGING VALVE COVER	M10*P1.0
135-406	O-RING	1BP-12
135-500	FRONT HEAD ASSEMBLY	
135-501	FRONT HEAD	612X250X292
135-502	THRUST BUSH	Φ135*Φ162*131
135-503	CHISEL BUSH	Φ135*Φ189*165
135-504	(SILENCED CHISEL BUSH)	Φ135*Φ189*120
135-505	CHISEL PIN	290X80X40
135-506	BUSHING PIN	Φ20*215
135-507	CHISEL	Φ135X1200
135-508	RUBBER PLUG1	Φ20*21
135-509	CHISEL BUSH PIN	φ30x204
135-510	RUBBER PLUG2	φ30x24
135-511	LOCKING PIN	Φ20*215
135-513	GREASE NIPPLE	G 1/4'
135-515	PROCESS PLUG	M12X1.75X10
135-518	SNAP RING	Φ30

ASB135A PARTS LIST

PART NO.	PART NAME	SPECIFICATION
135-600	ACCUMULATOR ASSEMBLY	
135-601	ACCUMULATOR BOTTOM	230*234*77
135-602	ACCUMULATOR COVER	Φ228*81
135-603	DIAPHRAGM	φ170*35
135-604	INNER VALVE ASSEMBLY	Φ64*15
135-605	GAS CHARGING ADJUSTER	M12*P1.25
135-606	GAS CHARGING O-RING	1BP-5
135-607	GAS CHARGING CAP	M12*P1.25
135-608	GAS CHARGING CAP O-RING	1BP-14
135-609	ACC'COVER CAP	M10*P1.0
135-610	ACC'COVER CAP O-RING	1BP-12
135-611	INNER COVER HEX.SOCKET BOLT	M18*1.5*45
135-612	INNER BOTTOM HEX.SOCKET BOLT	M24*P3.0*60
135-613	O-RING	1BP-95
135-614	WHITE RING	4BP-95
135-700	THROUGH BOLT ASSEMBLY	
135-701	THROUGH BOLT	RD44X4.233X990
135-702	SCREW NUT(UPPER)	RD44X4.233X60
135-703	WASHER	Φ45*Φ70*15
135-704	SCREW NUT(LOWER)	RD44X4.233X56

ASB135A HOUSING MEASUREMENT

ACCESOIRES

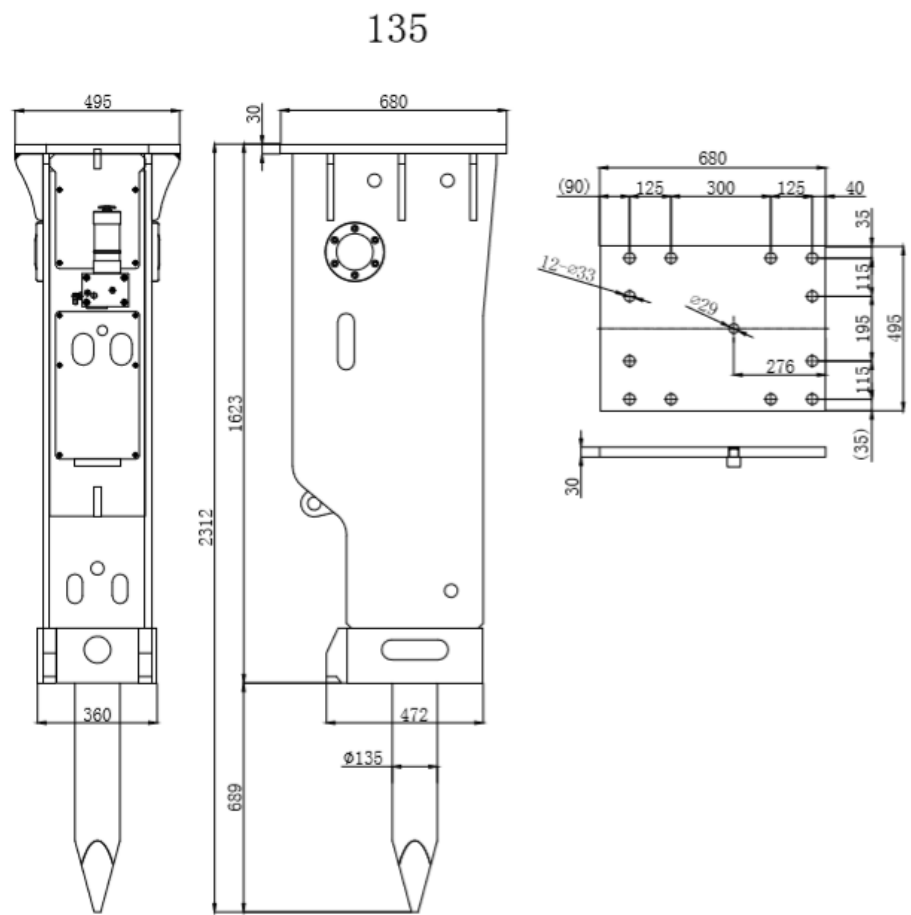





IMAGE	MODELL /TYPE	DESCRIPTION
	ACDE	N2 Filling Device
	ACDE	Hammer paste cartridge
	ACDE	Grease gun + cartridge

