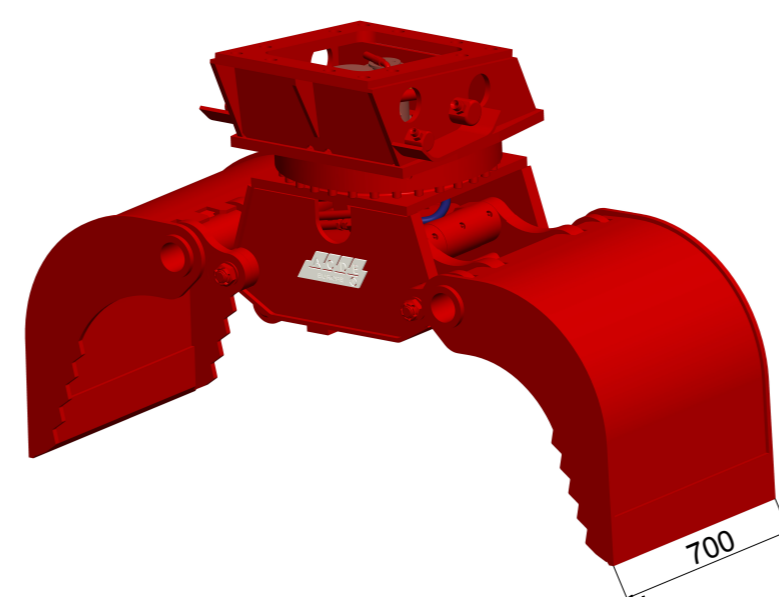
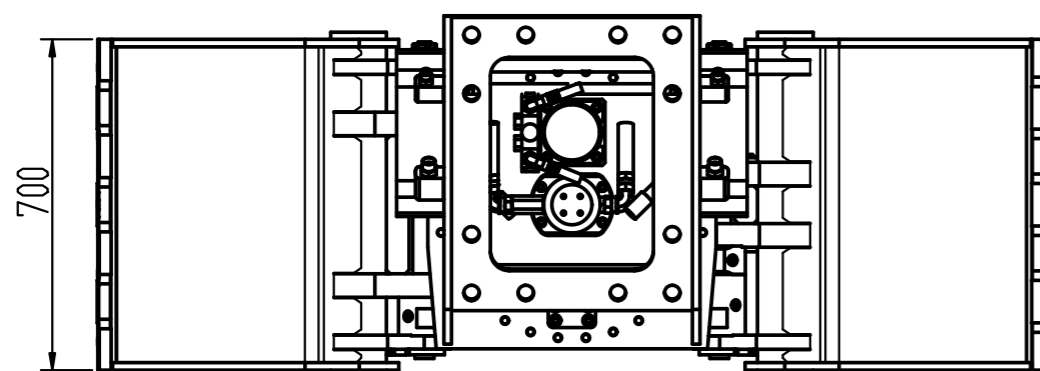
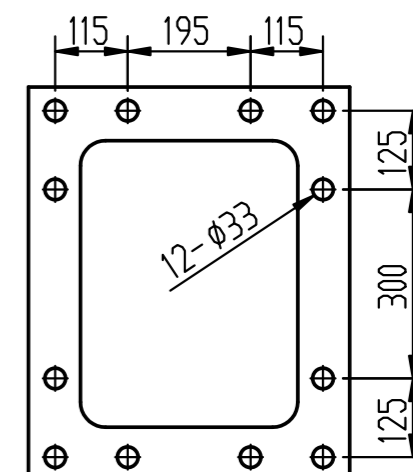
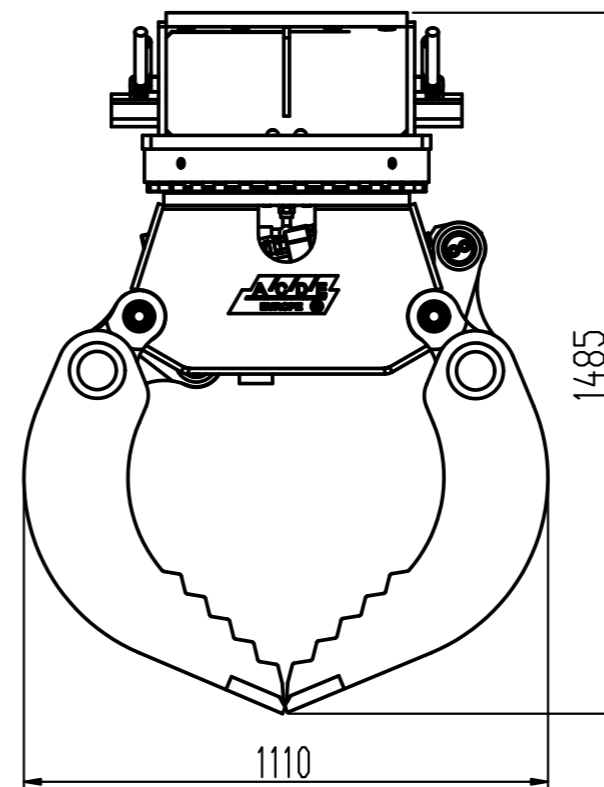
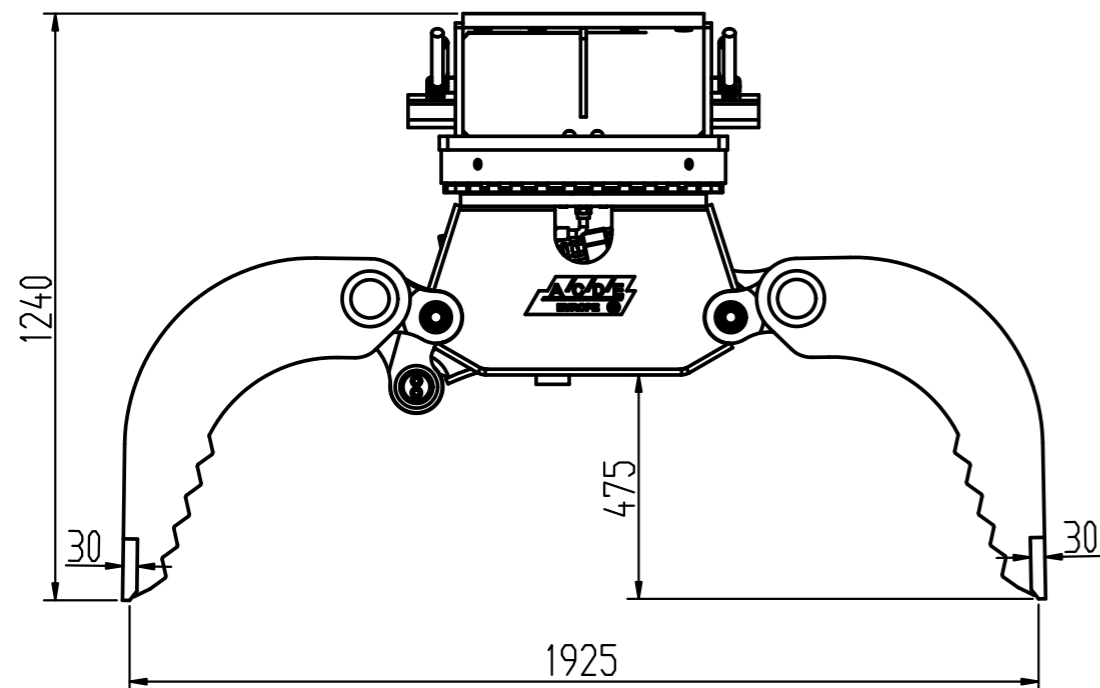


A3



**AMG-1000-700**

Specification

Weight	Kg	1020
Closing force	K.N	46
Pressure Max.	Bar	35
Oil Flow Max.	l/min	120
Pressure rotation max	Bar	21
Oil Flow Rotation max	l/min	25
Excavator Class	Ton	12-20

**ACD/E**  
EUROPE  
**ADVANCED CONSTRUCTION & DEMOLITION EQUIPMENT**

UNLESS NOTED TOLERANCE  
( EN22768-1 : mm )

CLASS	1ST	2ND	3RD
0.5 ~ 6	±0.05	±0.1	±0.2
6 ~ 30	±0.10	±0.2	±0.5
30 ~ 120	±0.15	±0.3	±0.8
120 ~ 315	±0.20	±0.5	±1.2
315 ~ 1000	±0.30	±0.8	±2.0
1000 ~ 2000	±0.50	±1.2	±3.0

<b>MODEL</b>		NAME : AMG-1000-700	
<b>AMG-1000-700</b>			
WEIGHT	SCALE	DATE : 2023-12-01	MAT'L :
1020kg			Q'TY :
DWG. BY	DE' BY	REF' NO :	
CH' BY	AP' BY	DWG NO :	ISSUE